

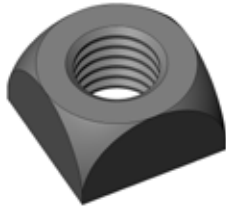
Beam Clamps and Mounting Plates

BC
1



Beam Clamps and Mounting Plates

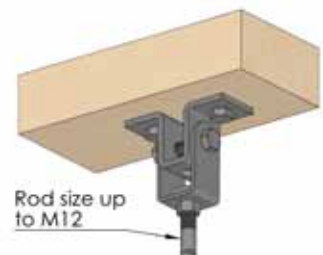
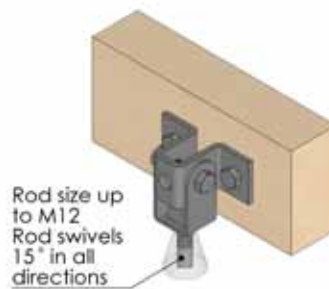
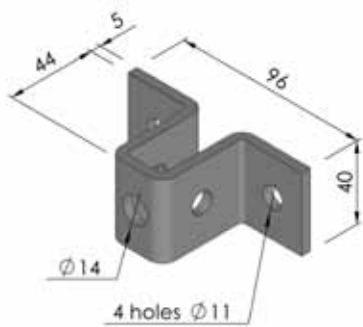
EM2679



Part No:	Size:	Mass kg/100:
EM2679M10	M10	1.7
EM2679M12	M12	1.5

Swivel Nuts are used with EM2676 and EM2677
Order as required.

EM2682



Mass: 23kg/100

Finishes: Zinc

Hanger Clevis for up to M12 rod suspensions. Suitable for wood ceilings.

May also be used with EM2676 or EM2683 as illustrated in application drawings above.

BC

3

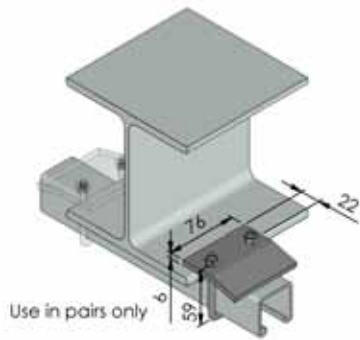
All products manufactured in accordance with ISO9001 Standard

salesinfo@mechanicalsupport.co.nz PO Box 204336 Highbrook Auckland www.mechanicalsupport.co.nz

MECHANICAL
SUPPORT
SYSTEMS

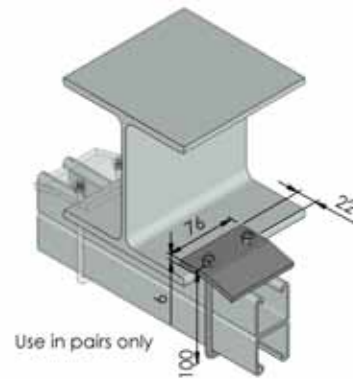
Beam Clamps and Mounting Plates

EM2785



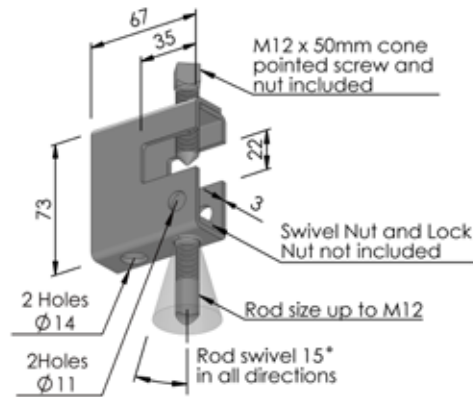
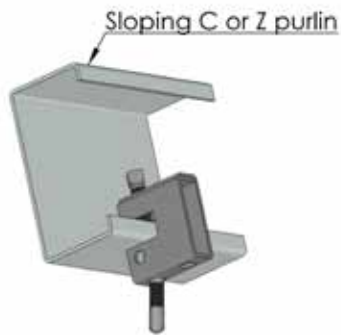
To suit channel: EM1000, EM2000, EM3000, EM4000
 Mass: 38kg/100
 Design Load: 8.82kN
 Finishes: Zinc, HDG

EM2786



To suit channel: EM1001, EM2001, EM5000
 Mass: 41kg/100
 Design Load: 8.82kN
 Finishes: Zinc, HDG

EM2676

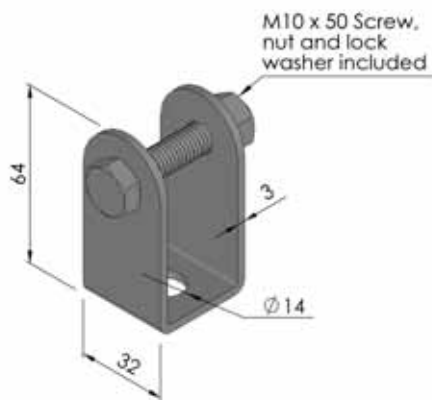


Beam Attachment Application

Clamp EM2676 provides a means of rod suspension, either fixed or where a free swing of up to 15° is required. Clamp will accommodate M10 or M12 rods.

Mass: 33kg/100
 Finishes: Zinc, HDG

EM2683 HDG



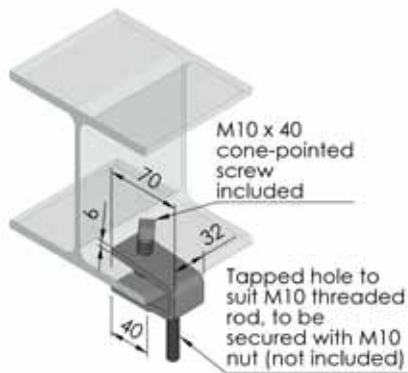
EM2683 Clevis Hanger to be used with EM2676 to provide angle adjustment for up to M12 rod suspension.

Mass: 15kg/100
 Finishes: HDG

BC
4

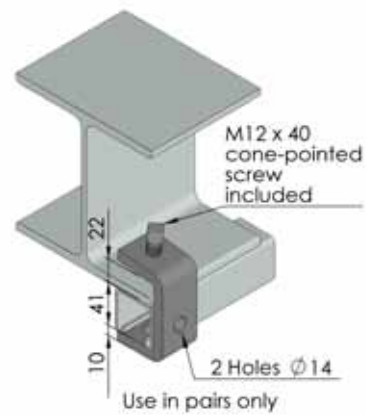
Beam Clamps and Mounting Plates

EM1270



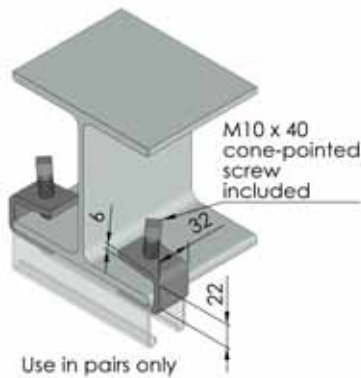
Mass: 29kg/100
 Design Load: 0.38kN
 Finishes: Zinc, HDG

EM1271



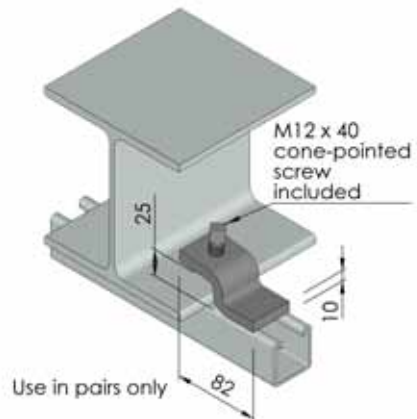
Mass: 43kg/100
 Design Load: 4.50kN
 Finishes: Zinc

EM1272



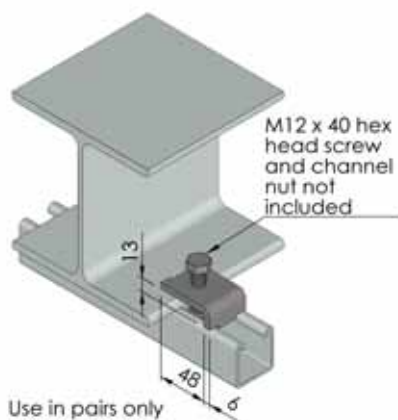
Mass: 18kg/100
 Design Load: 3.92kN
 Finishes: Zinc, HDG

EM1379



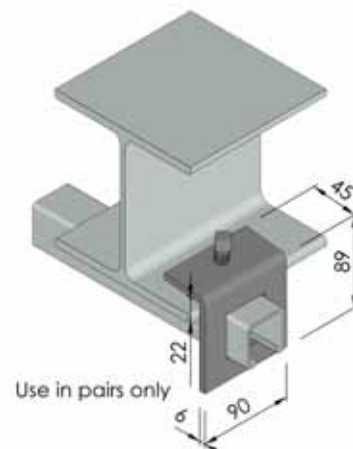
Mass: 34kg/100
 Design Load/pair: EM1000=5.34kN, EM2000=3.92kN
 Finishes: Zinc, HDG

EM1386 HDG



Mass: 12kg/100
 Design Load/pair: EM1000=5.30kN, EM2000=3.92kN
 Finishes: HDG

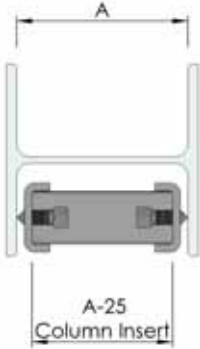
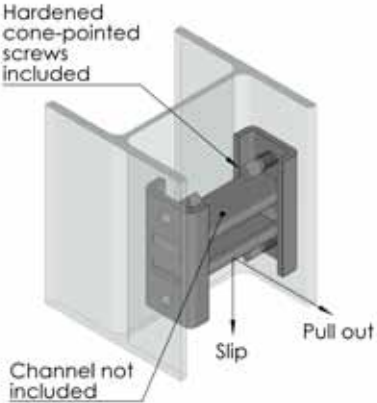
EM1796 HDG



Mass: 49kg/100
 Design Load/pair: 4.32kN
 Finishes: Zinc, HDG

Beam Clamps and Mounting Plates

EM3087



Mass: 45kg/100
 Finishes: Zinc, HDG

Channel:	Pullout Load:	Slip Load:
EM1000	4.41kN	3.53kN
EM2000	2.11kN	1.32kN