



Cable Ladder

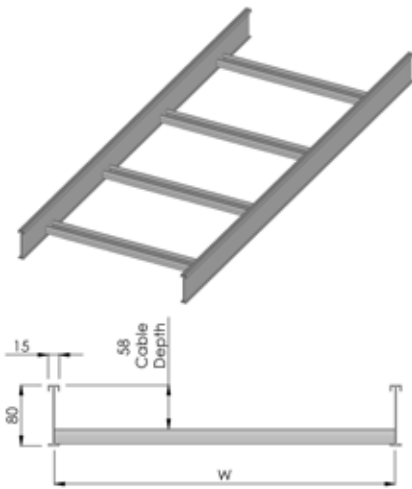
CL
1



Cable Ladder

NEMA Aluminium Cable Ladder

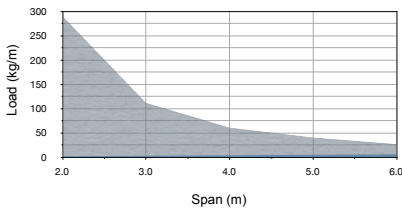
EM/N12A:



Cable Laying Depth: 58mm
Basic Load Capacity: 112kg/m @ 3m span
Standard Length: 6.0m
Rung Spacing: 300mm Nom.
Material: Aluminium

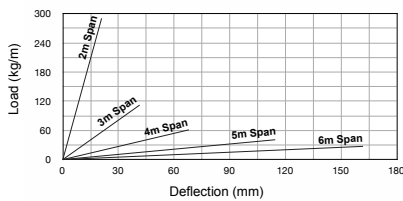
Width "W" (mm):	Part Number:
150	EM/N12A/150 AL
300	EM/N12A/300 AL
450	EM/N12A/450 AL
600	EM/N12A/600 AL
750	EM/N12A/750 AL
900	EM/N12A/900 AL

EM/N12A Cable Ladder Allowable Loading* (1.5 FOS)



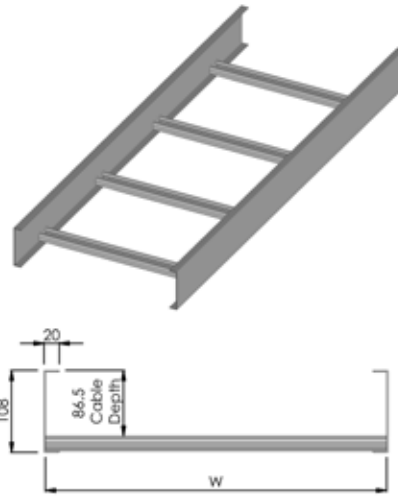
*Maximum allowable loads are determined by the failure of a single span using a factor of safety of 1.5. It is generally recommended to not use an unsupported span greater than 2m.

EM/N12A Cable Ladder Deflection**



**Deflection shown above is to be used as a guide only. Actual deflection may vary depending on installation factors (such as location of connectors and support etc).

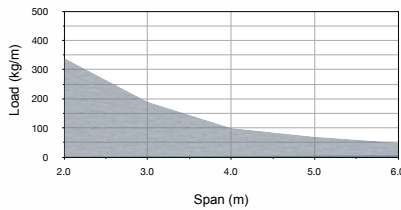
EM/N12B:



Cable Laying Depth: 86.5mm
Basic Load Capacity: 190kg/m @ 3m span
Standard Length: 6.0m
Rung Spacing: 300mm Nom.
Material: Aluminium

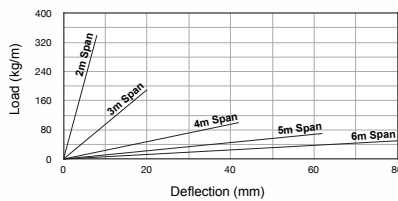
Width "W" (mm):	Part Number:
150	EM/N12B/150 AL
300	EM/N12B/300 AL
450	EM/N12B/450 AL
600	EM/N12B/600 AL
750	EM/N12B/750 AL
900	EM/N12B/900 AL

EM/N12B Cable Ladder Allowable Loading* (1.5 FOS)



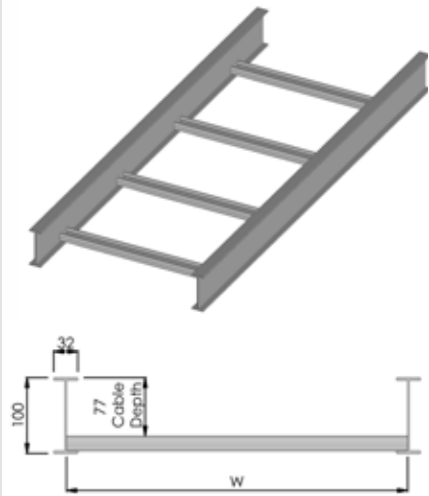
*Maximum allowable loads are determined by the failure of a single span using a factor of safety of 1.5. It is generally recommended to not use an unsupported span greater than 2m.

EM/N12B Cable Ladder Deflection**



**Deflection shown above is to be used as a guide only. Actual deflection may vary depending on installation factors (such as location of connectors and support etc).

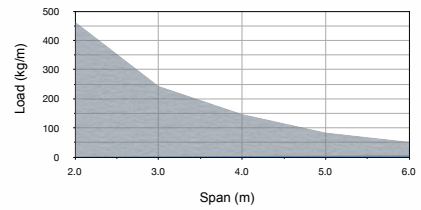
EM/N16A:



Cable Laying Depth: 77mm
Basic Load Capacity: 244kg/m @ 3m span
Standard Length: 6.0m
Rung Spacing: 300mm Nom.
Material: Aluminium

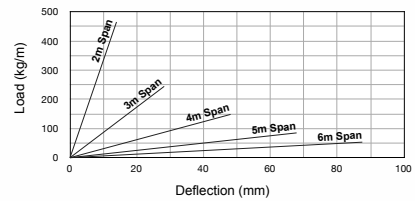
Width "W" (mm):	Part Number:
150	EM/N16A/150 AL
300	EM/N16A/300 AL
450	EM/N16A/450 AL
600	EM/N16A/600 AL
750	EM/N16A/750 AL
900	EM/N16A/900 AL

EM/N16A Cable Ladder Allowable Loading* (1.5 FOS)



*Maximum allowable loads are determined by the failure of a single span using a factor of safety of 1.5. It is generally recommended to not use an unsupported span greater than 2m.

EM/N16A Cable Ladder Deflection**

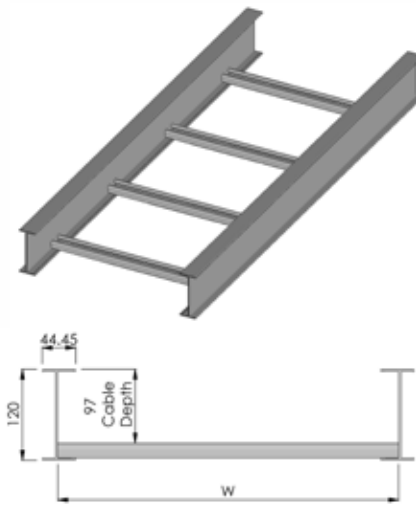


**Deflection shown above is to be used as a guide only. Actual deflection may vary depending on installation factors (such as location of connectors and support etc).

Cable Ladder Accessories

NEMA Aluminium Cable Ladder

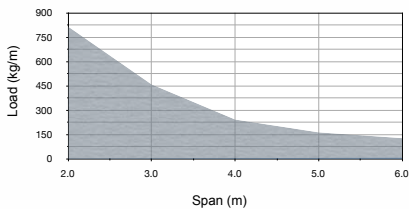
EM/N20A:



Cable Laying Depth: 97mm
Basic Load Capacity: 458kg/m @ 3m span
Standard Length: 6.0m
Rung Spacing: 300mm Nom.
Material: Aluminium

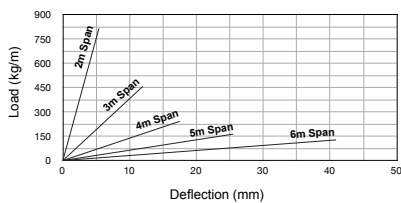
Width "W" (mm): **Part Number:**
 150 EM/N20A/150 AL
 300 EM/N20A/300 AL
 450 EM/N20A/450 AL
 600 EM/N20A/600 AL
 750 EM/N20A/750 AL
 900 EM/N20A/900 AL

EM/N20A Cable Ladder Allowable Loading* (1.5 FOS)



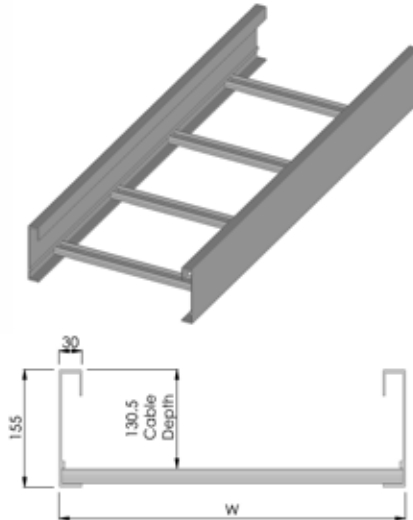
*Maximum allowable loads are determined by the failure of a single span using a factor of safety of 1.5. It is generally recommended to not use an unsupported span greater than 2m.

EM/N20A Cable Ladder Deflection**



**Deflection shown above is to be used as a guide only. Actual deflection may vary depending on installation factors (such as location of connectors and support etc).

EM/N20C:

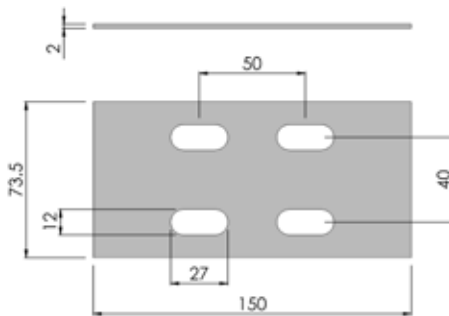


Cable Laying Depth: 130.5mm
Standard Length: 6.0m
Rung Spacing: 300mm Nom.
Material: Aluminium

EM/N20C is made to order and not carried in stock. Contact MSS for further information.

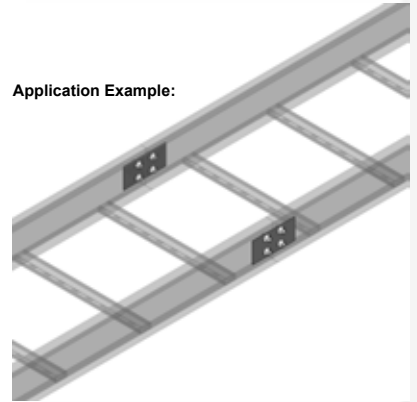
Cable Ladder Accessories

Splice Plate - 12A

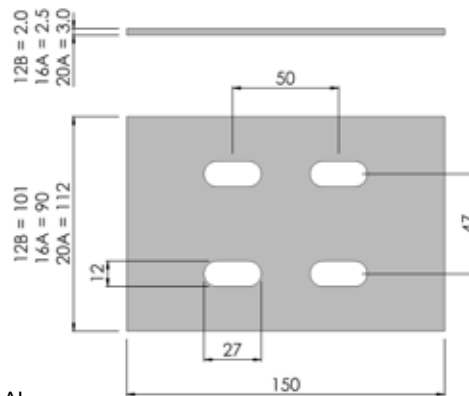


To Suit Ladder Type: 12A
Part Number: EM/N12A/SP AL

Application Example:

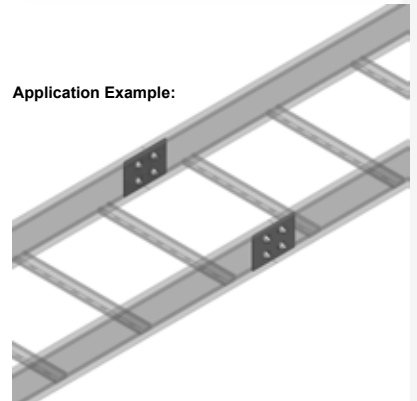


Splice Plate - 12B, 16A, 20A

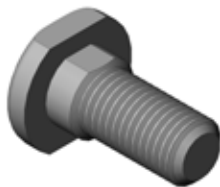


To Suit Ladder Type: 12B, 16A, 20A
Part Number: EM/N12B/SP AL, EM/N16A/SP AL, EM/N20A/SP AL

Application Example:



EMT/TB Bolt & EMT/TN Nut



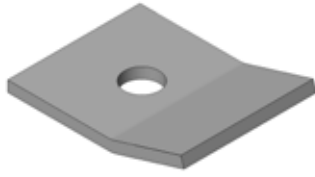
EMT/TB Bolt
Available in ZP or HDG



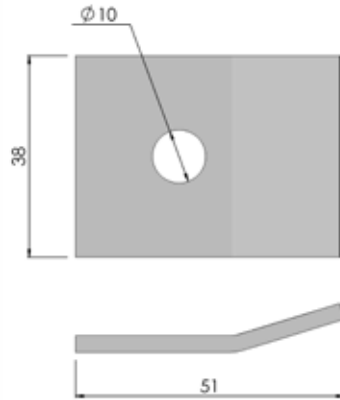
EMT/TN Nut
Available in ZP or HDG

Cable Ladder Accessories

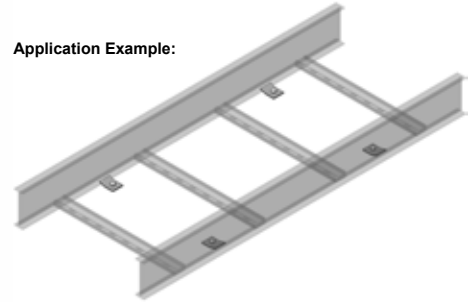
Internal Hold Down Washer



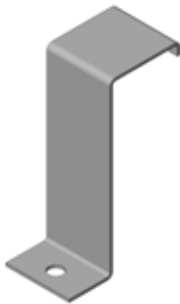
EM/NHDW AL
Internal Hold Down Washer
(Generic for all ladder)



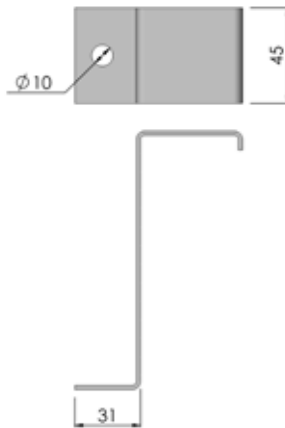
Application Example:



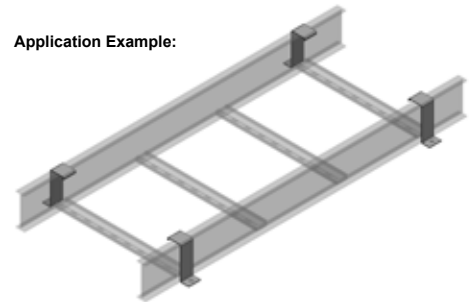
External Hold Down Bracket



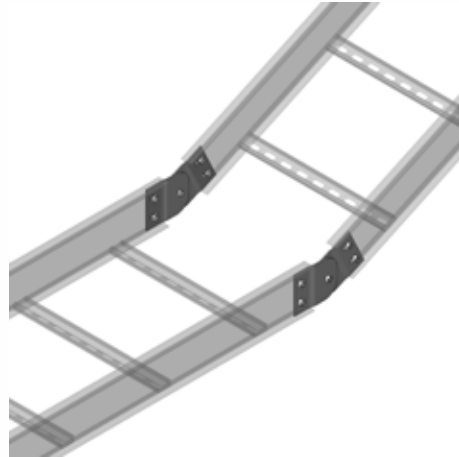
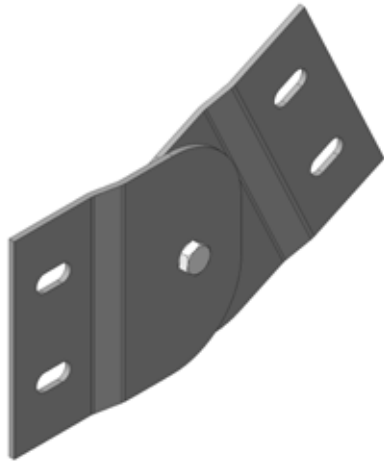
To Suit Ladder Type: Part Number:
12A EM/N12A/HDB AL
12B EM/N12B/HDB AL
16A EM/N16A/HDB AL
20A EM/N20A/HDB AL



Application Example:

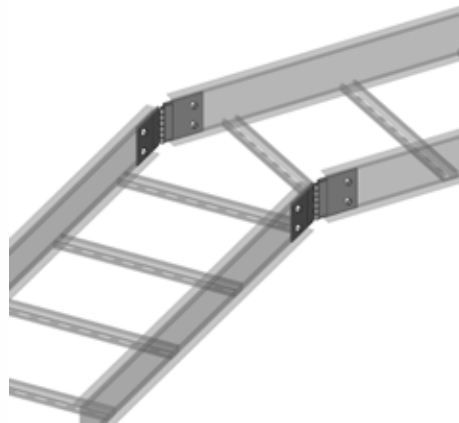
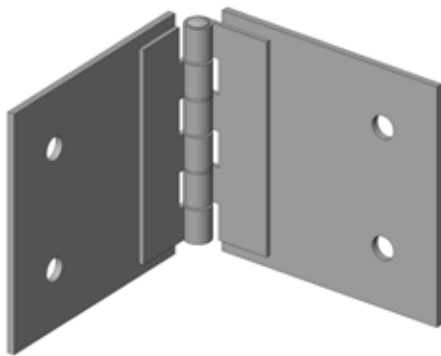


Adjustable Vertical Elbow



To Suit Ladder Type:	Part Number:
12A	EM/N12A/AVE AL
12B	EM/N12B/AVE AL
16A	EM/N16A/AVE AL
20A	EM/N20A/AVE AL

Adjustable Horizontal Hinge



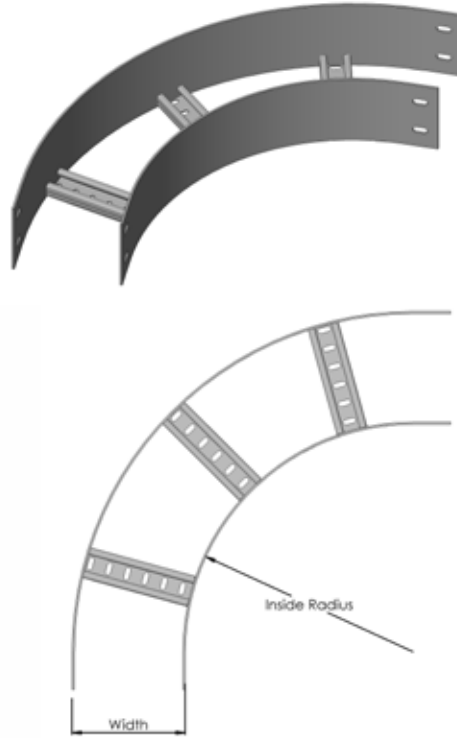
To Suit Ladder Type:	Part Number:
12A	EM/N12A/AHE AL
12B	EM/N12B/AHE AL
16A	EM/N16A/AHE AL
20A	EM/N20A/AHE AL

Cable Ladder Accessories

90° Horizontal Bend

Cable Ladder:	Inside Radius:	Width:	Part Number:
12A	300	150	EM/N12A/HB90/150 AL
		300	EM/N12A/HB90/300 AL
		450	EM/N12A/HB90/450 AL
		600	EM/N12A/HB90/600 AL
		750	EM/N12A/HB90/750 AL
		900	EM/N12A/HB90/900 AL
12B	300	150	EM/N12B/HB90/150 AL
		300	EM/N12B/HB90/300 AL
		450	EM/N12B/HB90/450 AL
		600	EM/N12B/HB90/600 AL
		750	EM/N12B/HB90/750 AL
		900	EM/N12B/HB90/900 AL
16A	300	150	EM/N16A/HB90/150 AL
		300	EM/N16A/HB90/300 AL
		450	EM/N16A/HB90/450 AL
		600	EM/N16A/HB90/600 AL
		750	EM/N16A/HB90/750 AL
		900	EM/N16A/HB90/900 AL
20A	450	150	EM/N20A/HB90/150 AL
		300	EM/N20A/HB90/300 AL
		450	EM/N20A/HB90/450 AL
		600	EM/N20A/HB90/600 AL
		750	EM/N20A/HB90/750 AL
		900	EM/N20A/HB90/900 AL

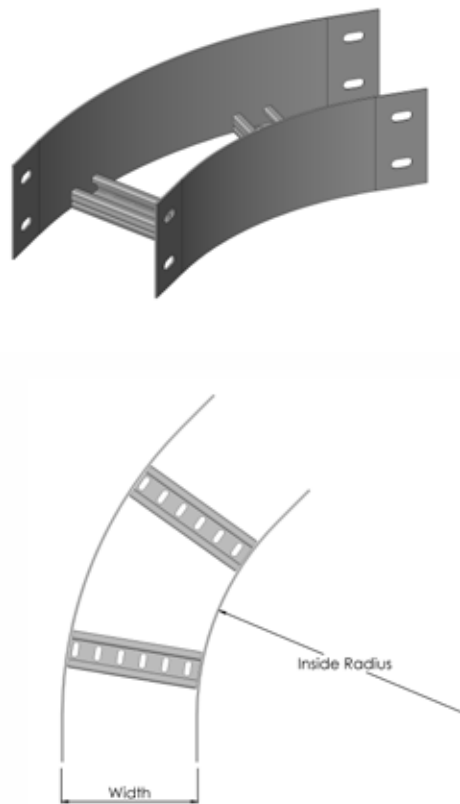
Custom radii and widths are available on request



45° Horizontal Bend

Cable Ladder:	Inside Radius:	Width:	Part Number:
12A	300	150	EM/N12A/HB45/150 AL
		300	EM/N12A/HB45/300 AL
		450	EM/N12A/HB45/450 AL
		600	EM/N12A/HB45/600 AL
		750	EM/N12A/HB45/750 AL
		900	EM/N12A/HB45/900 AL
12B	300	150	EM/N12B/HB45/150 AL
		300	EM/N12B/HB45/300 AL
		450	EM/N12B/HB45/450 AL
		600	EM/N12B/HB45/600 AL
		750	EM/N12B/HB45/750 AL
		900	EM/N12B/HB45/900 AL
16A	300	150	EM/N16A/HB45/150 AL
		300	EM/N16A/HB45/300 AL
		450	EM/N16A/HB45/450 AL
		600	EM/N16A/HB45/600 AL
		750	EM/N16A/HB45/750 AL
		900	EM/N16A/HB45/900 AL
20A	450	150	EM/N20A/HB45/150 AL
		300	EM/N20A/HB45/300 AL
		450	EM/N20A/HB45/450 AL
		600	EM/N20A/HB45/600 AL
		750	EM/N20A/HB45/750 AL
		900	EM/N20A/HB45/900 AL

Custom radii and widths are available on request



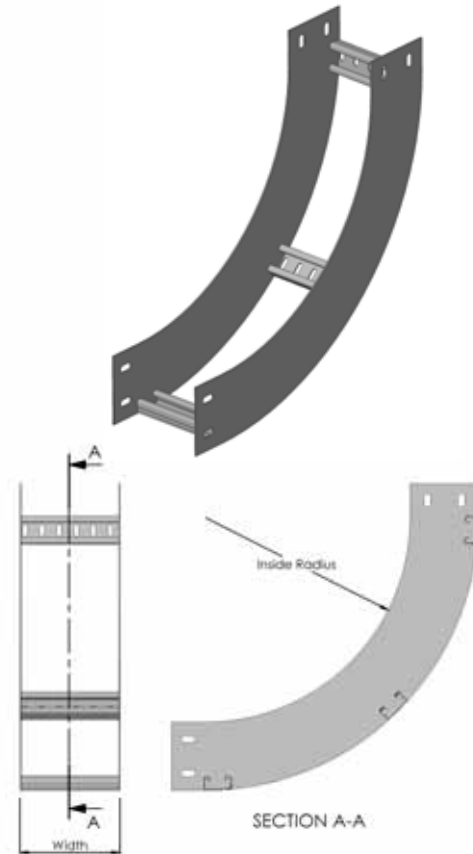
CL
8

All products manufactured in accordance with ISO9001 Standard

90° Internal Vertical Riser

Cable Ladder:	Inside Radius:	Width:	Part Number:
12A	300	150	EM/N12A/INT/RISER/150 AL
		300	EM/N12A/INT/RISER/300 AL
		450	EM/N12A/INT/RISER/450 AL
		600	EM/N12A/INT/RISER/600 AL
		750	EM/N12A/INT/RISER/750 AL
12B	300	150	EM/N12B/INT/RISER/150 AL
		300	EM/N12B/INT/RISER/300 AL
		450	EM/N12B/INT/RISER/450 AL
		600	EM/N12B/INT/RISER/600 AL
		750	EM/N12B/INT/RISER/750 AL
16A	300	150	EM/N16A/INT/RISER/150 AL
		300	EM/N16A/INT/RISER/300 AL
		450	EM/N16A/INT/RISER/450 AL
		600	EM/N16A/INT/RISER/600 AL
		750	EM/N16A/INT/RISER/750 AL
20A	450	150	EM/N20A/INT/RISER/150 AL
		300	EM/N20A/INT/RISER/300 AL
		450	EM/N20A/INT/RISER/450 AL
		600	EM/N20A/INT/RISER/600 AL
		750	EM/N20A/INT/RISER/750 AL
		900	EM/N20A/INT/RISER/900 AL

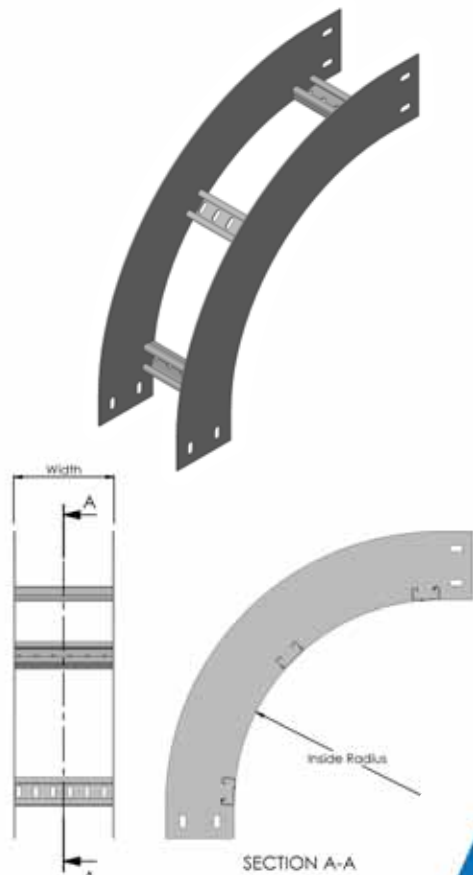
Custom radii and widths are available on request



90° External Vertical Dropper

Cable Ladder:	Inside Radius:	Width:	Part Number:
12A	300	150	EM/N12A/EXT/RISER/150 AL
		300	EM/N12A/EXT/RISER/300 AL
		450	EM/N12A/EXT/RISER/450 AL
		600	EM/N12A/EXT/RISER/600 AL
		750	EM/N12A/EXT/RISER/750 AL
12B	300	150	EM/N12B/EXT/RISER/150 AL
		300	EM/N12B/EXT/RISER/300 AL
		450	EM/N12B/EXT/RISER/450 AL
		600	EM/N12B/EXT/RISER/600 AL
		750	EM/N12B/EXT/RISER/750 AL
16A	300	150	EM/N16A/EXT/RISER/150 AL
		300	EM/N16A/EXT/RISER/300 AL
		450	EM/N16A/EXT/RISER/450 AL
		600	EM/N16A/EXT/RISER/600 AL
		750	EM/N16A/EXT/RISER/750 AL
20A	450	150	EM/N20A/EXT/RISER/150 AL
		300	EM/N20A/EXT/RISER/300 AL
		450	EM/N20A/EXT/RISER/450 AL
		600	EM/N20A/EXT/RISER/600 AL
		750	EM/N20A/EXT/RISER/750 AL
		900	EM/N20A/EXT/RISER/900 AL

Custom radii and widths are available on request

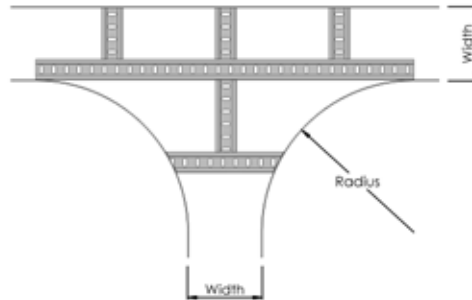
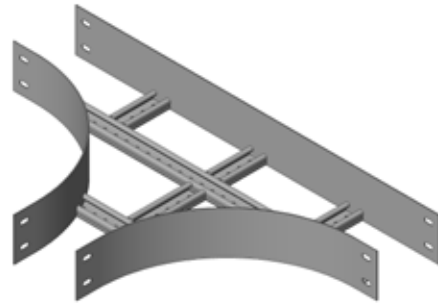


Cable Ladder Accessories

Horizontal Equal Tee Section

Cable Ladder:	Inside Radius:	Width:	Part Number:
12A	300	150	EM/N12A/EQTEE/150 AL
		300	EM/N12A/EQTEE/300 AL
		450	EM/N12A/EQTEE/450 AL
		600	EM/N12A/EQTEE/600 AL
		750	EM/N12A/EQTEE/750 AL
		900	EM/N12A/EQTEE/900 AL
12B	300	150	EM/N12B/EQTEE/150 AL
		300	EM/N12B/EQTEE/300 AL
		450	EM/N12B/EQTEE/450 AL
		600	EM/N12B/EQTEE/600 AL
		750	EM/N12B/EQTEE/750 AL
		900	EM/N12B/EQTEE/900 AL
16A	300	150	EM/N16A/EQTEE/150 AL
		300	EM/N16A/EQTEE/300 AL
		450	EM/N16A/EQTEE/450 AL
		600	EM/N16A/EQTEE/600 AL
		750	EM/N16A/EQTEE/750 AL
		900	EM/N16A/EQTEE/900 AL
20A	450	150	EM/N20A/EQTEE/150 AL
		300	EM/N20A/EQTEE/300 AL
		450	EM/N20A/EQTEE/450 AL
		600	EM/N20A/EQTEE/600 AL
		750	EM/N20A/EQTEE/750 AL
		900	EM/N20A/EQTEE/900 AL

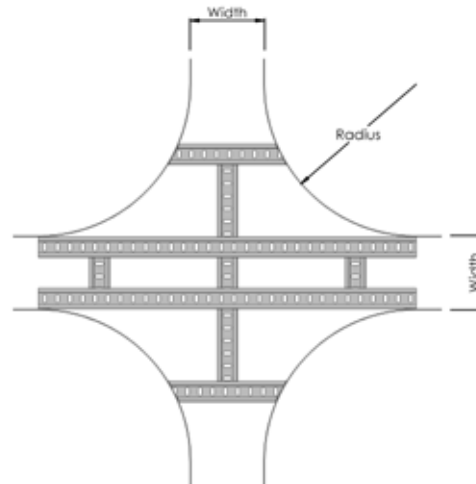
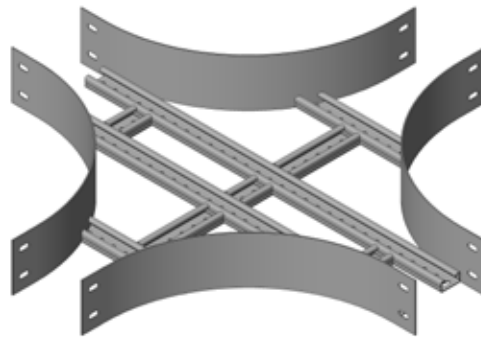
Custom radii and widths are available on request



Horizontal Equal Cross Section

Cable Ladder:	Inside Radius:	Width:	Part Number:
12A	300	150	EM/N12A/CROSS/150 AL
		300	EM/N12A/CROSS/300 AL
		450	EM/N12A/CROSS/450 AL
		600	EM/N12A/CROSS/600 AL
		750	EM/N12A/CROSS/750 AL
		900	EM/N12A/CROSS/900 AL
12B	300	150	EM/N12B/CROSS/150 AL
		300	EM/N12B/CROSS/300 AL
		450	EM/N12B/CROSS/450 AL
		600	EM/N12B/CROSS/600 AL
		750	EM/N12B/CROSS/750 AL
		900	EM/N12B/CROSS/900 AL
16A	300	150	EM/N16A/CROSS/150 AL
		300	EM/N16A/CROSS/300 AL
		450	EM/N16A/CROSS/450 AL
		600	EM/N16A/CROSS/600 AL
		750	EM/N16A/CROSS/750 AL
		900	EM/N16A/CROSS/900 AL
20A	450	150	EM/N20A/CROSS/150 AL
		300	EM/N20A/CROSS/300 AL
		450	EM/N20A/CROSS/450 AL
		600	EM/N20A/CROSS/600 AL
		750	EM/N20A/CROSS/750 AL
		900	EM/N20A/CROSS/900 AL

Custom radii and widths are available on request



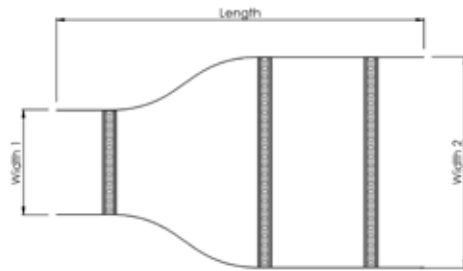
CL
10

All products manufactured in accordance with ISO9001 Standard

Concentric Reducer

Cable Ladder:	Length:	Width 1:	Width 2:	Part Number:		
12A	600	150	300	EM/N12A/CR/150/300 AL		
			450	EM/N12A/CR/150/450 AL		
			600	EM/N12A/CR/150/600 AL		
			750	EM/N12A/CR/150/750 AL		
			900	EM/N12A/CR/150/900 AL		
		300	450	EM/N12A/CR/300/450 AL		
			600	EM/N12A/CR/300/600 AL		
			750	EM/N12A/CR/300/750 AL		
			900	EM/N12A/CR/300/900 AL		
			450	600	EM/N12A/CR/450/600 AL	
		750		EM/N12A/CR/450/750 AL		
		900		EM/N12A/CR/450/900 AL		
		600		750	EM/N12A/CR/600/750 AL	
			900	EM/N12A/CR/600/900 AL		
			750	EM/N12A/CR/750/900 AL		
		12B	600	150	300	EM/N12B/CR/150/300 AL
					450	EM/N12B/CR/150/450 AL
					600	EM/N12B/CR/150/600 AL
					750	EM/N12B/CR/150/750 AL
					900	EM/N12B/CR/150/900 AL
				300	450	EM/N12B/CR/300/450 AL
600	EM/N12B/CR/300/600 AL					
750	EM/N12B/CR/300/750 AL					
900	EM/N12B/CR/300/900 AL					
450	600				EM/N12B/CR/450/600 AL	
	750			EM/N12B/CR/450/750 AL		
	900			EM/N12B/CR/450/900 AL		
	600			750	EM/N12B/CR/600/750 AL	
900				EM/N12B/CR/600/900 AL		
750				EM/N12B/CR/750/900 AL		
16A	600			150	300	EM/N16A/CR/150/300 AL
					450	EM/N16A/CR/150/450 AL
					600	EM/N16A/CR/150/600 AL
					750	EM/N16A/CR/150/750 AL
					900	EM/N16A/CR/150/900 AL
				300	450	EM/N16A/CR/300/450 AL
		600	EM/N16A/CR/300/600 AL			
		750	EM/N16A/CR/300/750 AL			
		900	EM/N16A/CR/300/900 AL			
		450	600		EM/N16A/CR/450/600 AL	
			750	EM/N16A/CR/450/750 AL		
			900	EM/N16A/CR/450/900 AL		
			600	750	EM/N16A/CR/600/750 AL	
		900		EM/N16A/CR/600/900 AL		
		750		EM/N16A/CR/750/900 AL		
		20A	600	150	300	EM/N20A/CR/150/300 AL
					450	EM/N20A/CR/150/450 AL
					600	EM/N20A/CR/150/600 AL
					750	EM/N20A/CR/150/750 AL
					900	EM/N20A/CR/150/900 AL
				300	450	EM/N20A/CR/300/450 AL
600	EM/N20A/CR/300/600 AL					
750	EM/N20A/CR/300/750 AL					
900	EM/N20A/CR/300/900 AL					
450	600				EM/N20A/CR/450/600 AL	
	750			EM/N20A/CR/450/750 AL		
	900			EM/N20A/CR/450/900 AL		
	600			750	EM/N20A/CR/600/750 AL	
900				EM/N20A/CR/600/900 AL		
750				EM/N20A/CR/750/900 AL		

Custom radii and widths are available on request

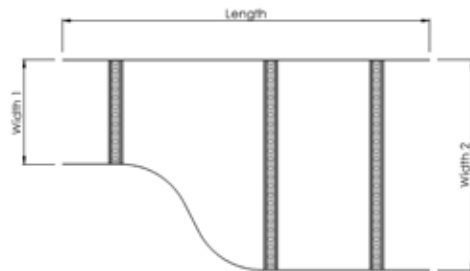
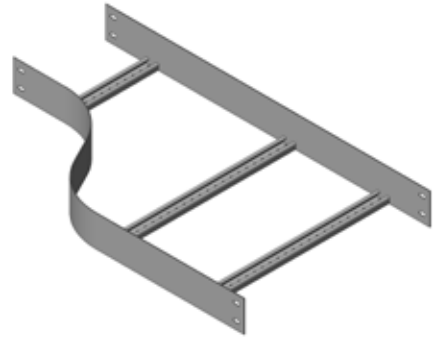


Cable Ladder Accessories

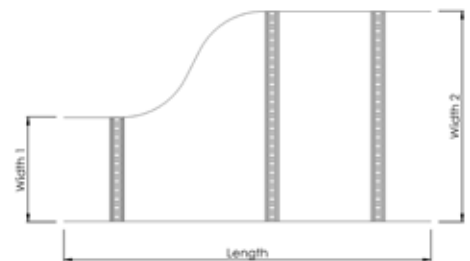
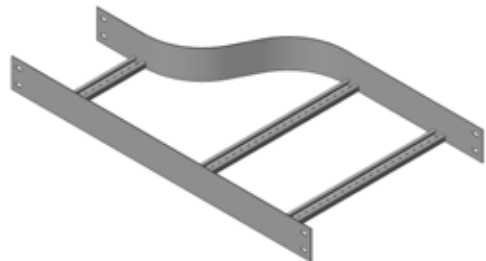
Left/Right Hand Reducer

Cable Ladder:	Length:	Width 1:	Width 2:	Left Hand Part Number:	Right Hand Part Number:			
12A	600	150	300	EM/N12A/LHR/150/300 AL	EM/N12A/RHR/150/300 AL			
			450	EM/N12A/LHR/150/450 AL	EM/N12A/RHR/150/450 AL			
			600	EM/N12A/LHR/150/600 AL	EM/N12A/RHR/150/600 AL			
			750	EM/N12A/LHR/150/750 AL	EM/N12A/RHR/150/750 AL			
			900	EM/N12A/LHR/150/900 AL	EM/N12A/RHR/150/900 AL			
		300	450	EM/N12A/LHR/300/450 AL	EM/N12A/RHR/300/450 AL			
			600	EM/N12A/LHR/300/600 AL	EM/N12A/RHR/300/600 AL			
			750	EM/N12A/LHR/300/750 AL	EM/N12A/RHR/300/750 AL			
			900	EM/N12A/LHR/300/900 AL	EM/N12A/RHR/300/900 AL			
			450	600	EM/N12A/LHR/450/600 AL	EM/N12A/RHR/450/600 AL		
		750		EM/N12A/LHR/450/750 AL	EM/N12A/RHR/450/750 AL			
		900		EM/N12A/LHR/450/900 AL	EM/N12A/RHR/450/900 AL			
		600		750	EM/N12A/LHR/600/750 AL	EM/N12A/RHR/600/750 AL		
				900	EM/N12A/LHR/600/900 AL	EM/N12A/RHR/600/900 AL		
			750	900	EM/N12A/LHR/750/900 AL	EM/N12A/RHR/750/900 AL		
				12B	150	300	EM/N12B/LHR/150/300 AL	EM/N12B/RHR/150/300 AL
						450	EM/N12B/LHR/150/450 AL	EM/N12B/RHR/150/450 AL
		600				EM/N12B/LHR/150/600 AL	EM/N12B/RHR/150/600 AL	
		750				EM/N12B/LHR/150/750 AL	EM/N12B/RHR/150/750 AL	
		900	EM/N12B/LHR/150/900 AL			EM/N12B/RHR/150/900 AL		
		300	450		EM/N12B/LHR/300/450 AL	EM/N12B/RHR/300/450 AL		
600	EM/N12B/LHR/300/600 AL		EM/N12B/RHR/300/600 AL					
750	EM/N12B/LHR/300/750 AL		EM/N12B/RHR/300/750 AL					
900	EM/N12B/LHR/300/900 AL		EM/N12B/RHR/300/900 AL					
450	600		EM/N12B/LHR/450/600 AL		EM/N12B/RHR/450/600 AL			
	750	EM/N12B/LHR/450/750 AL	EM/N12B/RHR/450/750 AL					
	900	EM/N12B/LHR/450/900 AL	EM/N12B/RHR/450/900 AL					
	600	750	EM/N12B/LHR/600/750 AL	EM/N12B/RHR/600/750 AL				
		900	EM/N12B/LHR/600/900 AL	EM/N12B/RHR/600/900 AL				
750		900	EM/N12B/LHR/750/900 AL	EM/N12B/RHR/750/900 AL				
		16A	150	300	EM/N16A/LHR/150/300 AL	EM/N16A/RHR/150/300 AL		
				450	EM/N16A/LHR/150/450 AL	EM/N16A/RHR/150/450 AL		
	600			EM/N16A/LHR/150/600 AL	EM/N16A/RHR/150/600 AL			
	750			EM/N16A/LHR/150/750 AL	EM/N16A/RHR/150/750 AL			
900	EM/N16A/LHR/150/900 AL			EM/N16A/RHR/150/900 AL				
300	450		EM/N16A/LHR/300/450 AL	EM/N16A/RHR/300/450 AL				
	600		EM/N16A/LHR/300/600 AL	EM/N16A/RHR/300/600 AL				
	750		EM/N16A/LHR/300/750 AL	EM/N16A/RHR/300/750 AL				
	900		EM/N16A/LHR/300/900 AL	EM/N16A/RHR/300/900 AL				
	450		600	EM/N16A/LHR/450/600 AL	EM/N16A/RHR/450/600 AL			
750			EM/N16A/LHR/450/750 AL	EM/N16A/RHR/450/750 AL				
900			EM/N16A/LHR/450/900 AL	EM/N16A/RHR/450/900 AL				
600		750	EM/N16A/LHR/600/750 AL	EM/N16A/RHR/600/750 AL				
		900	EM/N16A/LHR/600/900 AL	EM/N16A/RHR/600/900 AL				
	750	900	EM/N16A/LHR/750/900 AL	EM/N16A/RHR/750/900 AL				
		20A	150	300	EM/N20A/LHR/150/300 AL	EM/N20A/RHR/150/300 AL		
				450	EM/N20A/LHR/150/450 AL	EM/N20A/RHR/150/450 AL		
600				EM/N20A/LHR/150/600 AL	EM/N20A/RHR/150/600 AL			
750				EM/N20A/LHR/150/750 AL	EM/N20A/RHR/150/750 AL			
900	EM/N20A/LHR/150/900 AL			EM/N20A/RHR/150/900 AL				
300	450		EM/N20A/LHR/300/450 AL	EM/N20A/RHR/300/450 AL				
	600		EM/N20A/LHR/300/600 AL	EM/N20A/RHR/300/600 AL				
	750		EM/N20A/LHR/300/750 AL	EM/N20A/RHR/300/750 AL				
	900		EM/N20A/LHR/300/900 AL	EM/N20A/RHR/300/900 AL				
	450		600	EM/N20A/LHR/450/600 AL	EM/N20A/RHR/450/600 AL			
750			EM/N20A/LHR/450/750 AL	EM/N20A/RHR/450/750 AL				
900			EM/N20A/LHR/450/900 AL	EM/N20A/RHR/450/900 AL				
600		750	EM/N20A/LHR/600/750 AL	EM/N20A/RHR/600/750 AL				
		900	EM/N20A/LHR/600/900 AL	EM/N20A/RHR/600/900 AL				
	750	900	EM/N20A/LHR/750/900 AL	EM/N20A/RHR/750/900 AL				

Left Hand Reducer:



Right Hand Reducer:



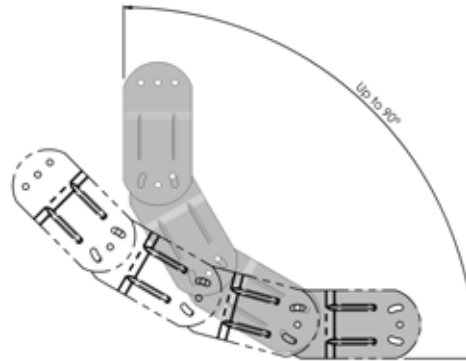
CL
12

Custom radii and widths are available on request

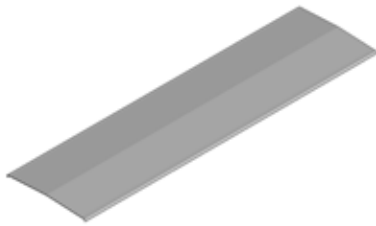
All products manufactured in accordance with ISO9001 Standard

Adjustable Snake-Link Plates

Cable Ladder:	Inside Radius:	Width:	Part Number:
12A	300	150	EM/N12A/SL/150 AL
		300	EM/N12A/SL/300 AL
		450	EM/N12A/SL/450 AL
		600	EM/N12A/SL/600 AL
		750	EM/N12A/SL/750 AL
		900	EM/N12A/SL/900 AL
12B	300	150	EM/N12B/SL/150 AL
		300	EM/N12B/SL/300 AL
		450	EM/N12B/SL/450 AL
		600	EM/N12B/SL/600 AL
		750	EM/N12B/SL/750 AL
		900	EM/N12B/SL/900 AL
16A	300	150	EM/N16A/SL/150 AL
		300	EM/N16A/SL/300 AL
		450	EM/N16A/SL/450 AL
		600	EM/N16A/SL/600 AL
		750	EM/N16A/SL/750 AL
		900	EM/N16A/SL/900 AL
20A	450	150	EM/N20A/SL/150 AL
		300	EM/N20A/SL/300 AL
		450	EM/N20A/SL/450 AL
		600	EM/N20A/SL/600 AL
		750	EM/N20A/SL/750 AL
		900	EM/N20A/SL/900 AL

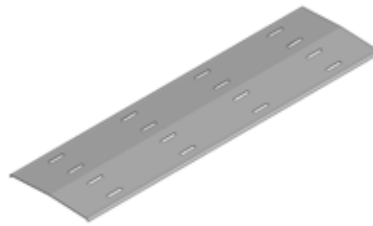


Aluminium Lid Covers



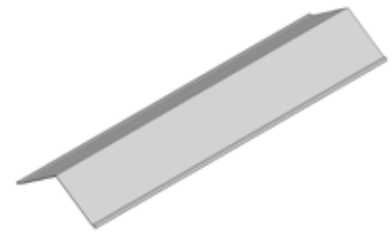
Standard Cover

Standard Length: 2.4m
Material: Aluminium



Vented Cover

Standard Length: 2.4m
Material: Aluminium



Peaked Cover

Standard Length: 2.4m
Material: Aluminium

Custom covers to suit any application are available on request.

