



# Cable Tray

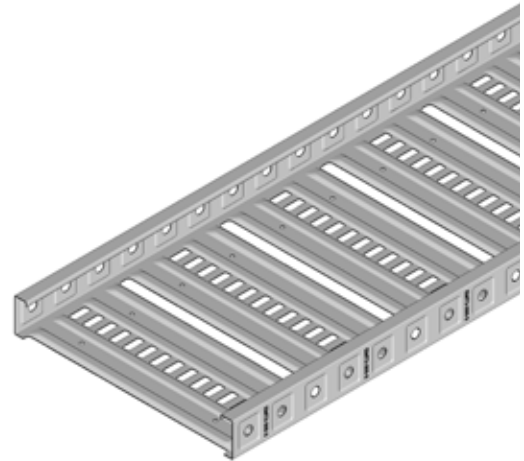
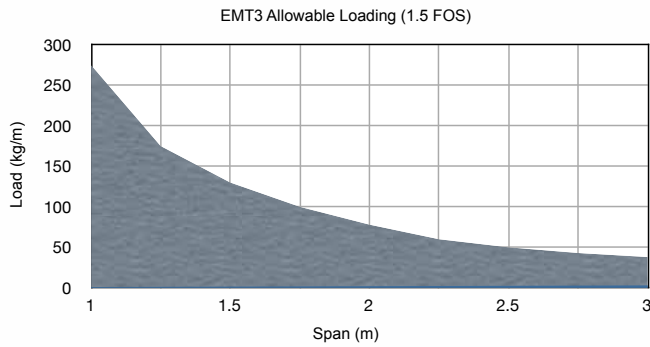
CT  
1





# Cable Tray

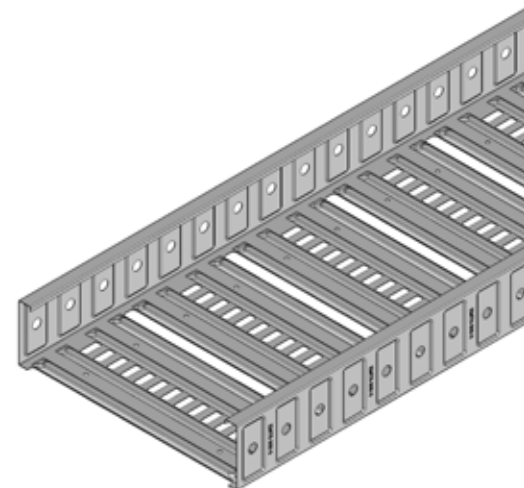
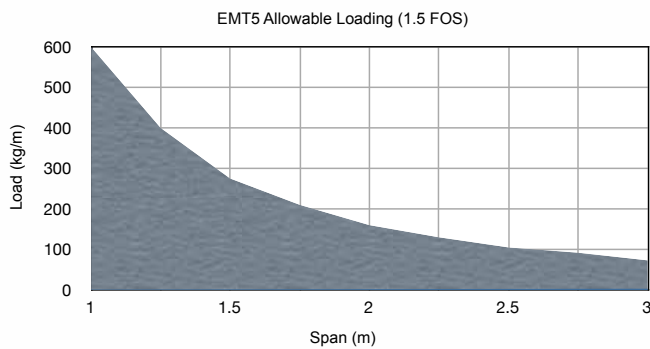
## EMT3 Cable Tray



Standard Length: 3.0m  
 Standard Finish: Pre-Galvanised\*  
 Cable Laying Depth: 45mm

<b>Width "W" (mm):</b>	<b>Part Number:</b>
176	EMT3/150 PG
326	EMT3/300 PG
476	EMT3/450 PG
626	EMT3/600 PG

## EMT5 Cable Tray



Standard Length: 3.0m  
 Standard Finish: Pre-Galvanised\*  
 Cable Laying Depth: 79mm

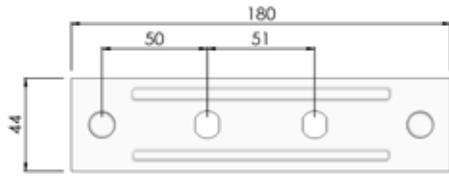
<b>Width "W" (mm):</b>	<b>Part Number:</b>
176	EMT5/150 PG
326	EMT5/300 PG
476	EMT5/450 PG
626	EMT5/600 PG

**CT**  
**3**

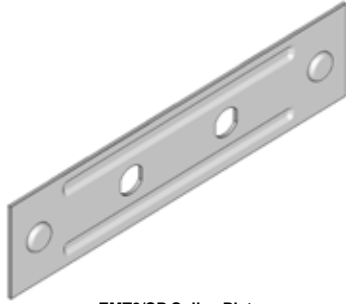
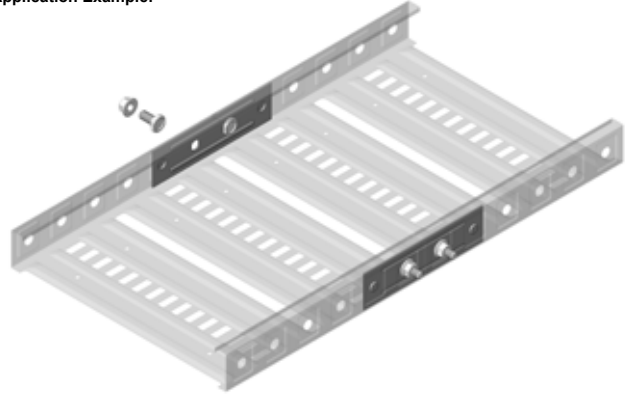
\*EMT3 and EMT5 also available in HDG, Powder Coated, and Aluminium  
 All products manufactured in accordance with ISO9001 Standard



## EMT3/SP Splice Plate

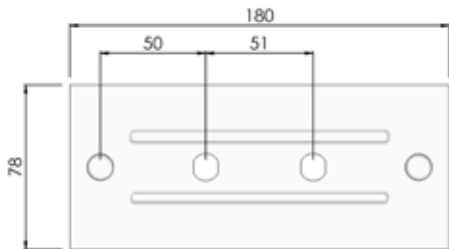


Application Example:

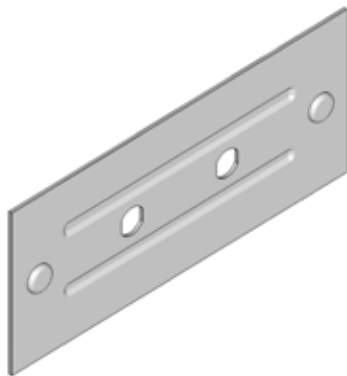
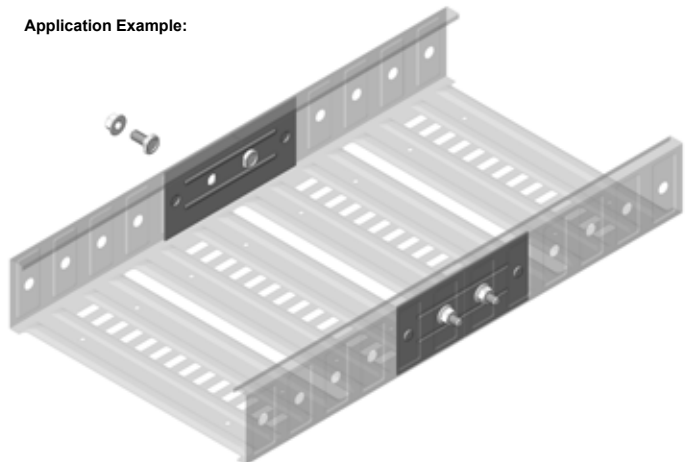


EMT3/SP Splice Plate

## EMT5/SP Splice Plate

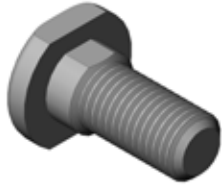


Application Example:



EMT5/SP Splice Plate

## EMT/TB Bolt & EMT/TN Nut

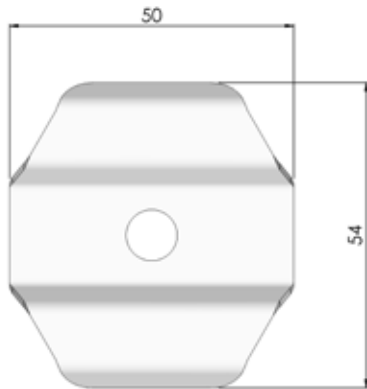


**EMT/TB Bolt**  
Available in ZP or HDG



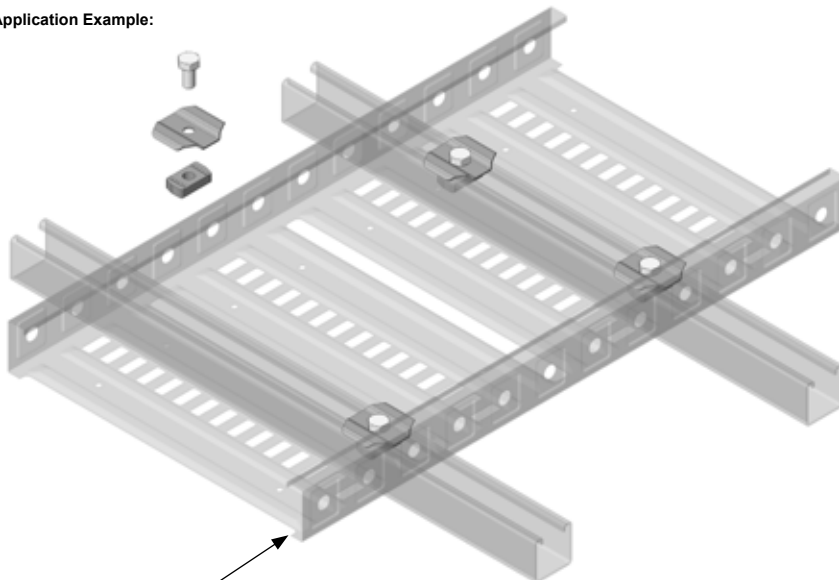
**EMT/TN Nut**  
Available in ZP or HDG

## EMT/HDW Hold Down Washer



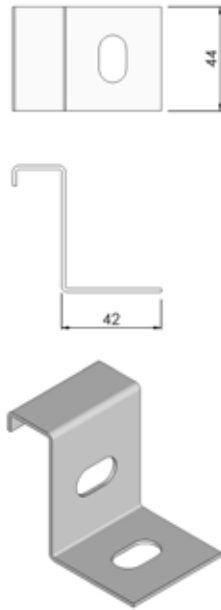
**EMT/HDW Hold Down Washer**  
Suitable for EMT3 and EMT5 Series Cable Tray

### Application Example:



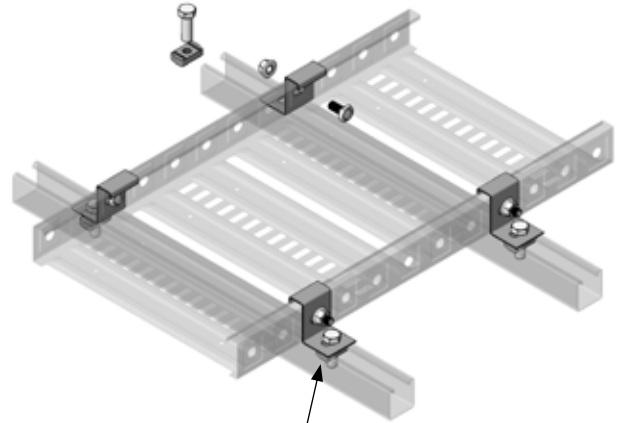
Hold Down Washers can be used on  
EMT3 and EMT5 Series Cable Tray

## EMT3/EXT/HDB Hold Down Bracket



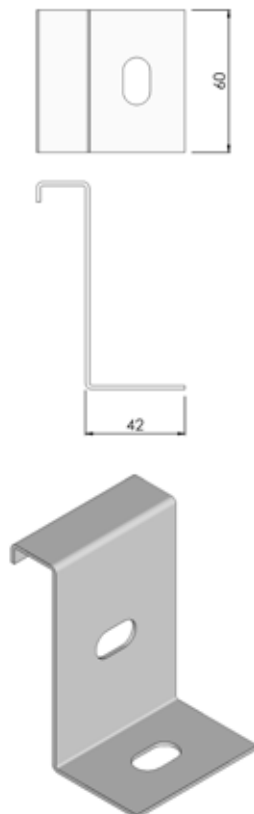
EMT3/EXT/HDB Hold Down Bracket

### Application Example:



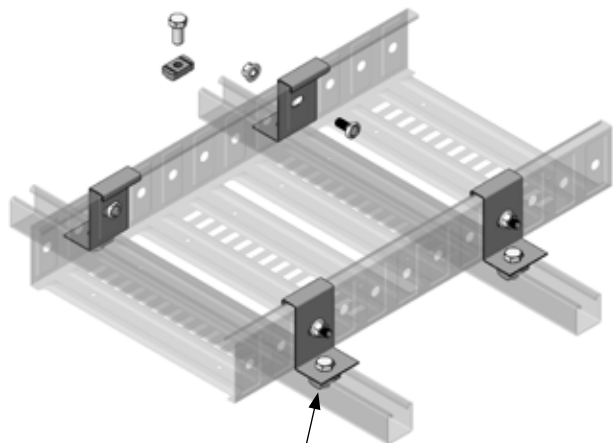
Hold Down Bracket can be fastened to channel, walls, floors, ceilings etc

## EMT5/EXT/HDB Hold Down Bracket



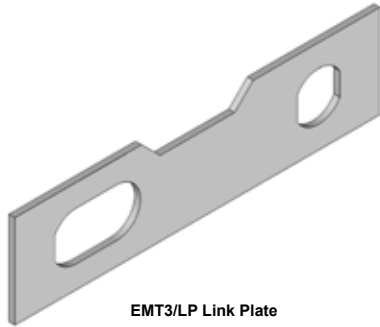
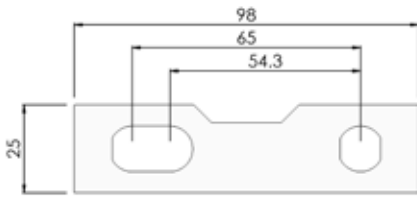
EMT5/EXT/HDB Hold Down Bracket

### Application Example:



Hold Down Bracket can be fastened to channel, walls, floors, ceilings etc

## EMT3/LP Link Plate



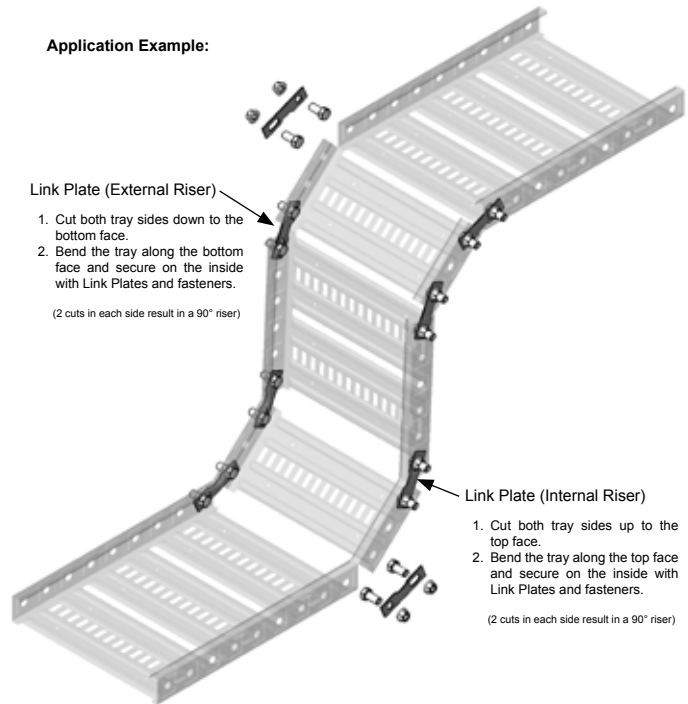
EMT3/LP Link Plate

### Application Example:

#### Link Plate (External Riser)

1. Cut both tray sides down to the bottom face.
2. Bend the tray along the bottom face and secure on the inside with Link Plates and fasteners.

(2 cuts in each side result in a 90° riser)

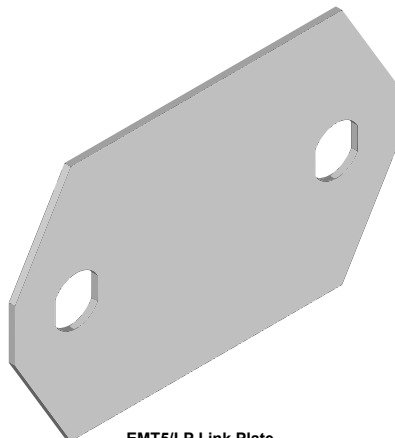
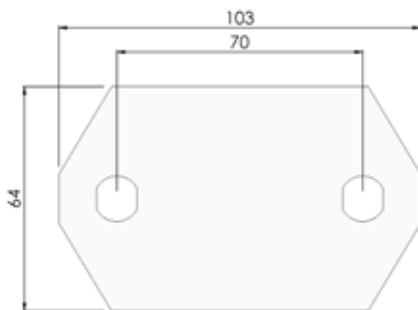


#### Link Plate (Internal Riser)

1. Cut both tray sides up to the top face.
2. Bend the tray along the top face and secure on the inside with Link Plates and fasteners.

(2 cuts in each side result in a 90° riser)

## EMT5/LP Link Plate



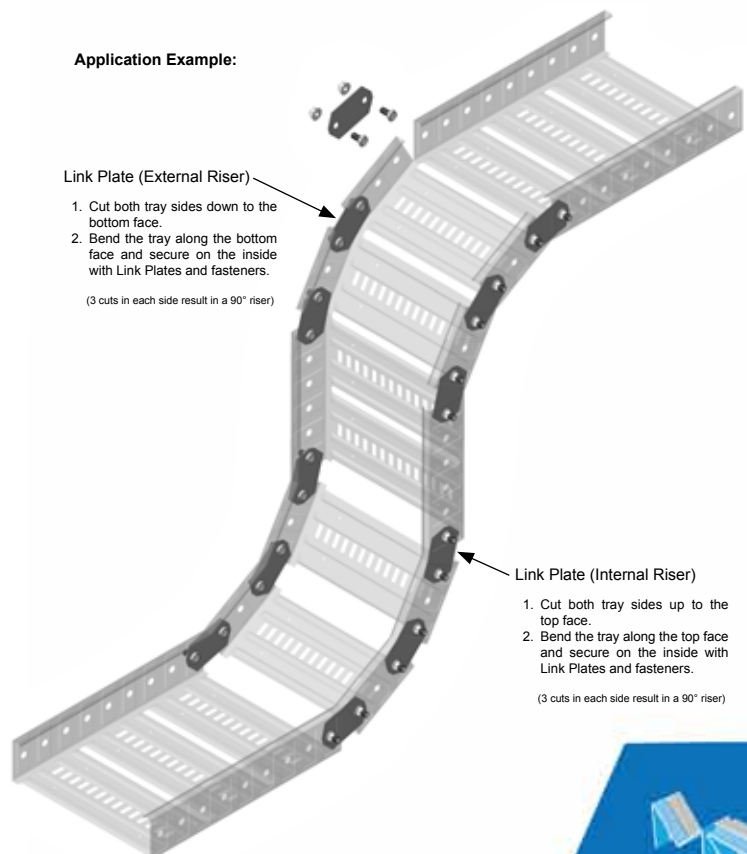
EMT5/LP Link Plate

### Application Example:

#### Link Plate (External Riser)

1. Cut both tray sides down to the bottom face.
2. Bend the tray along the bottom face and secure on the inside with Link Plates and fasteners.

(3 cuts in each side result in a 90° riser)

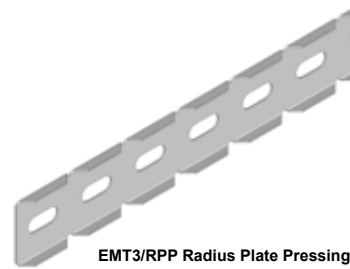
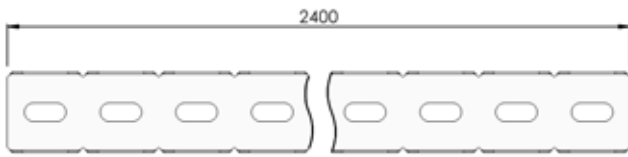


#### Link Plate (Internal Riser)

1. Cut both tray sides up to the top face.
2. Bend the tray along the top face and secure on the inside with Link Plates and fasteners.

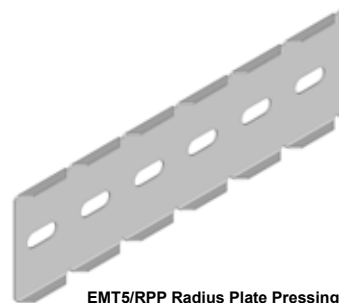
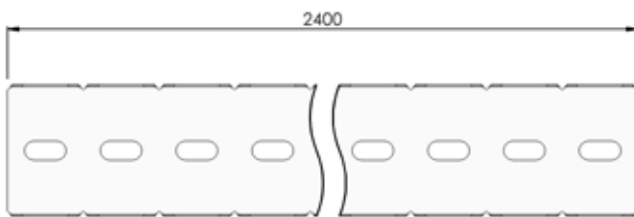
(3 cuts in each side result in a 90° riser)

## EMT3/RPP Radius Plate Pressing



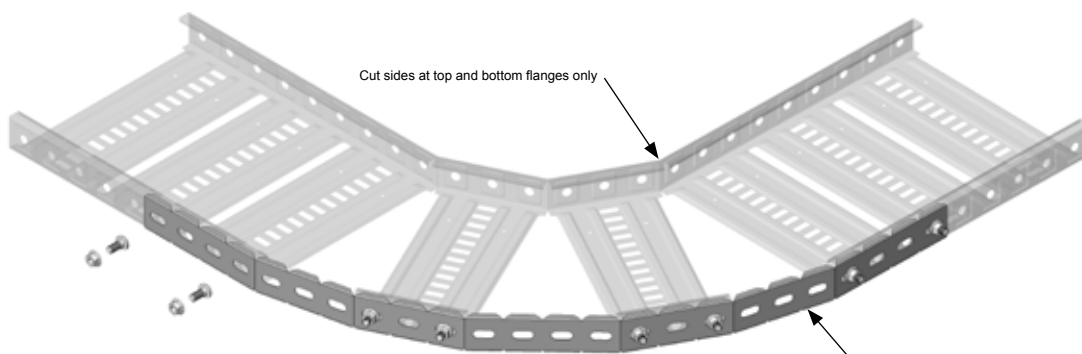
EMT3/RPP Radius Plate Pressing

## EMT5/RPP Radius Plate Pressing



EMT5/RPP Radius Plate Pressing

### Application Example:



Cut sides at top and bottom flanges only

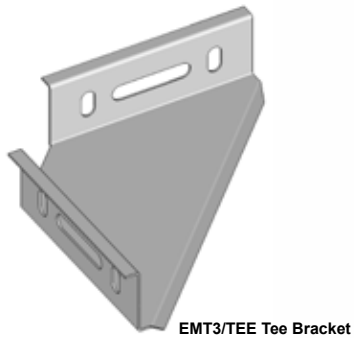
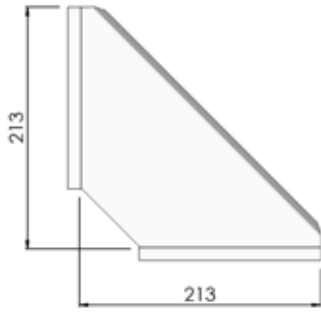
Cut outside walls of tray right through.  
(3 cuts in each side result in a 90° bend)

Radius Plate Pressing

Form Radius Plate Pressing to suit. Cut to length before fixing with fasteners.

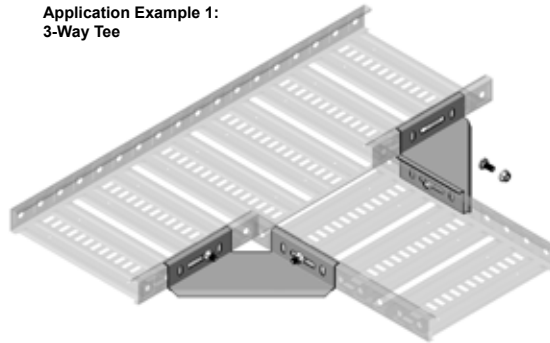


## EMT3/TEE Tee Bracket

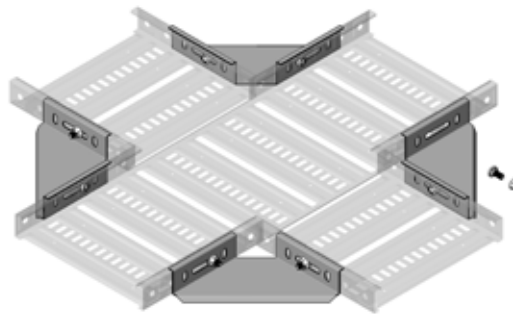


EMT3/TEE Tee Bracket

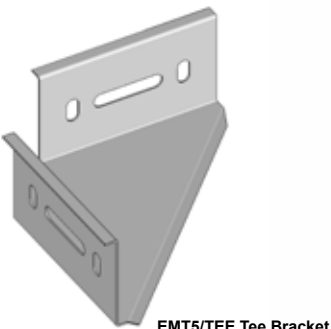
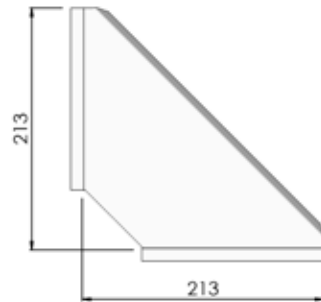
Application Example 1:  
3-Way Tee



Application Example 2:  
4-Way Cross

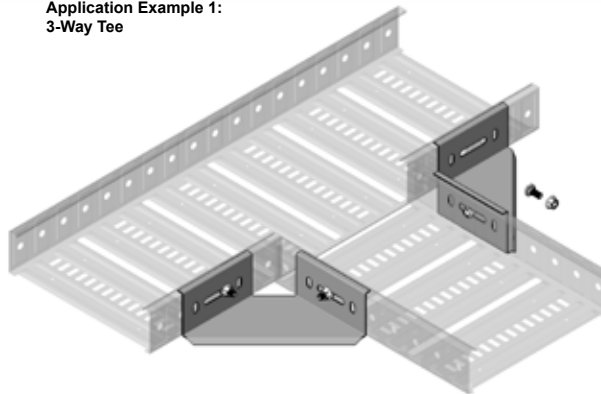


## EMT5/TEE Tee Bracket

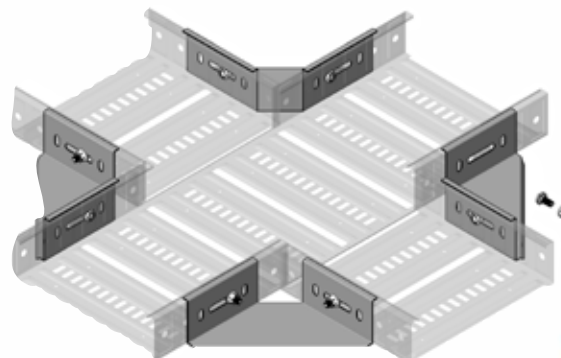


EMT5/TEE Tee Bracket

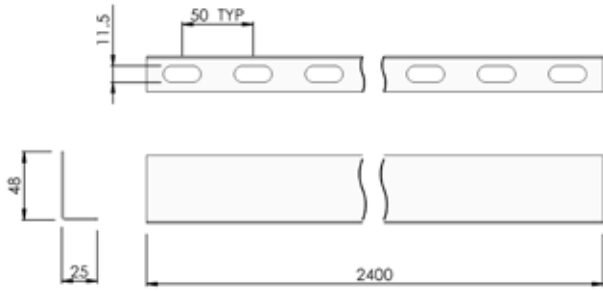
Application Example 1:  
3-Way Tee



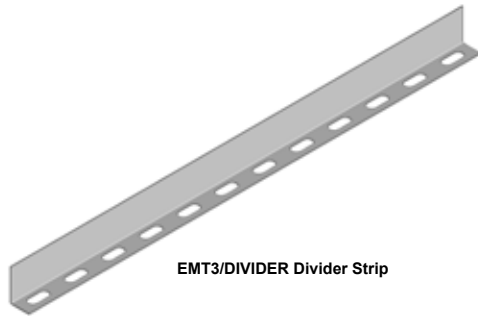
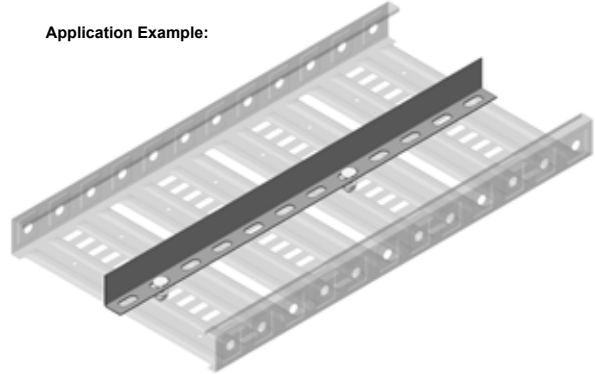
Application Example 2:  
4-Way Cross



## EMT3/DIVIDER Divider Strip

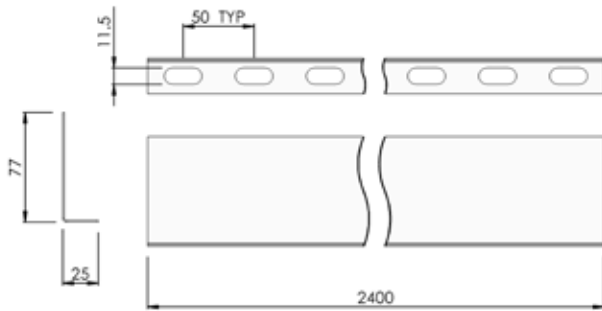


Application Example:

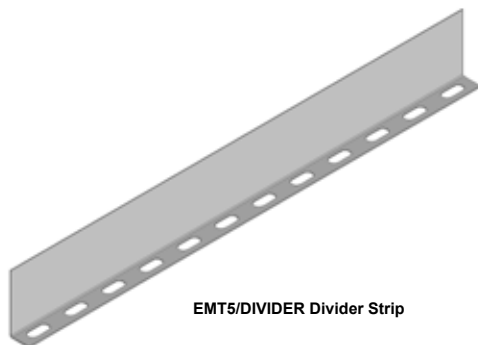
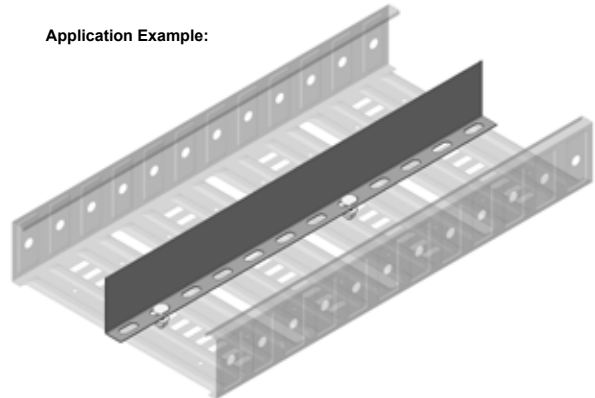


EMT3/DIVIDER Divider Strip

## EMT5/DIVIDER Divider Strip



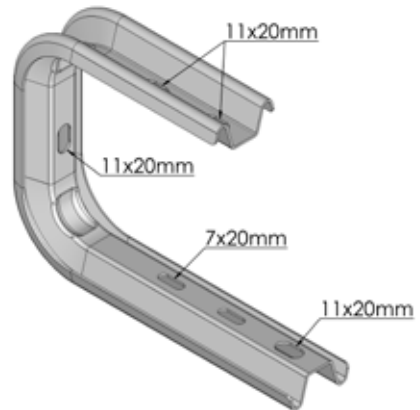
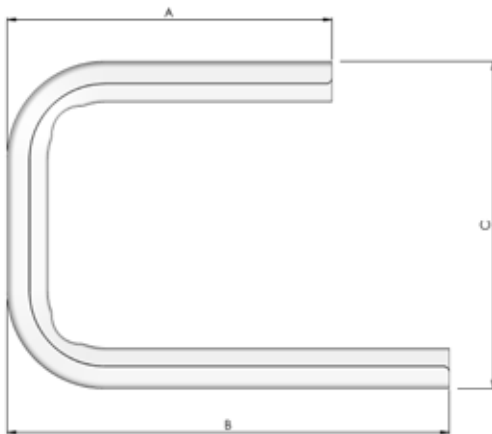
Application Example:



EMT5/DIVIDER Divider Strip

CT  
10

## KBSI/THB PG Single Hanger Bracket



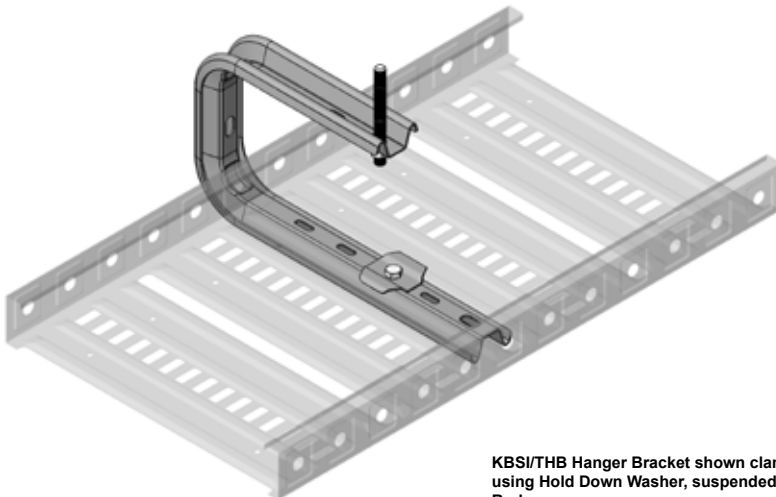
KBSI/THB Single Hanger Bracket

## VERGOKAN

Standard Finish: Pre-Galvanised

Width "A":	Width "B":	Height "C":	Part Number:	Suits Cable Tray Width:
147	182	170	KBSI/THB/150 PG	75, 100 & 150mm
172	232	170	KBSI/THB/200 PG	200mm
222	332	170	KBSI/THB/300 PG	300mm

### Application Example:



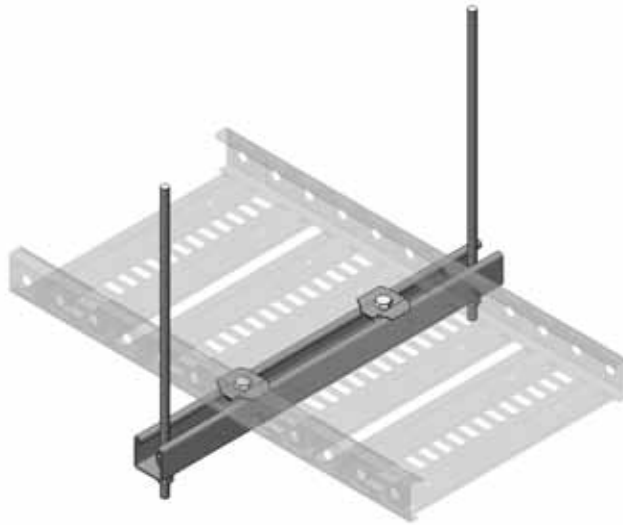
KBSI/THB Hanger Bracket shown clamped to Cable Tray using Hold Down Washer, suspended using Threaded Rod.

The vertical section of the Hanger Bracket can be mounted to either side of the Cable Tray.

(Hold Down Washer and Threaded Rod not included)

## Trapeze Kits

This system is designed to support various Cable Tray Systems and widths in suspended installations.



### Standard Trapeze Kits contain:

Qty:	Item Description:	Part No:
1	Roll-formed Channel cut to length and punched	(see <i>Standard Duty Channel Table</i> below)
1	M10 Threaded Rod (2m long)	ROD/M10X2 ZP
6	M10 Hex Nuts	HNM10
2	M10 Flat Washers	FWM10
2	M10 Powers Vertigo Steel Hangers	VERTM10X25/STEEL
2	Internal Hold Down Washers	EMT/HDW
2	M8 Spring Nuts	EM/SNLM08 ZP
2	M8x16 Hex Head Flanged Set Screw	HHSFM08X16

### Standard Duty Channel Table:

Nominal Tray Width: (mm)	Channel Length: (mm, +/- 2mm)	Channel Type:	Maximum Load: (kN)	Part No:
150	300	EM4000	14.44	TRAP/EMT/150
300	450	EM4000	12.05	TRAP/EMT/300
450	600	EM2000	7.48	TRAP/EMT/450
600	750	EM2000	4.58	TRAP/EMT/600

- Special Trapeze Kit sizes can be made on request
- Heavy Duty Kits can be supplied on request
- End Caps supplied on request
- SS Stainless Steel Trapeze Kits are made to firm order only - please note lead times apply
- All individual components of the Trapeze Kits can be supplied separately on request
- Trapeze Loadings based on uniform maximum channel safe beam working load per Trapeze Support (supported on both ends).
- Please see <http://www.mechanicalsupport.co.nz/calculator.html> for our Materials Calculator