



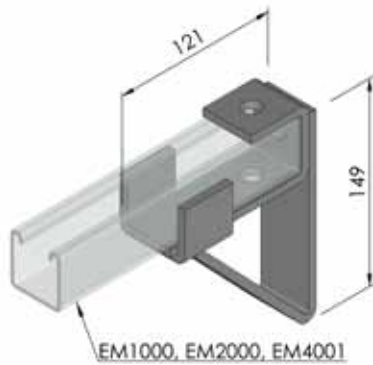
Cantilever Brackets

CB
1



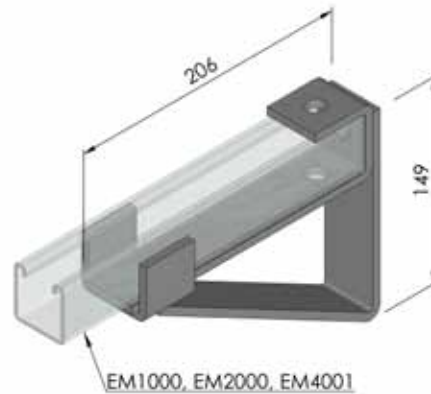
Cantilever Brackets - 41mm Channel Width Series

EMC1075-4



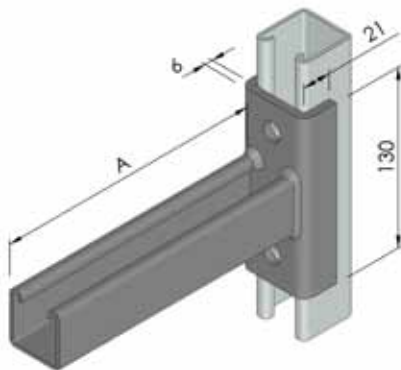
Design Load: 0.58kN*
 Mass: 103kg/100
 *Applies to fittings and not to strength of arm. Designed for use with nuts - do not use through bolts.

EMC1075-8



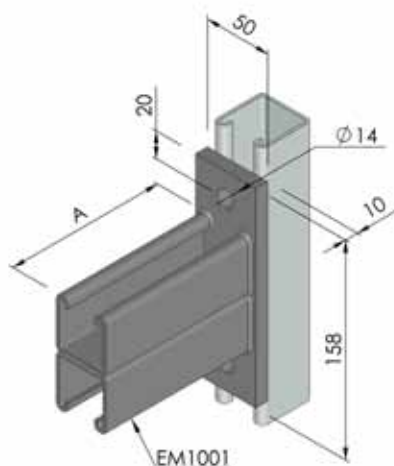
Design Load: 0.58kN*
 Mass: 130kg/100
 *Applies to fittings and not to strength of arm. Designed for use with nuts - do not use through bolts.

EMC2233 - 2234



Part No:	Load kN:	Mass kg/100:	A:
EMC2233	3.14	189	457
EMC2234	1.97	232	610

EMC2542 - 2546



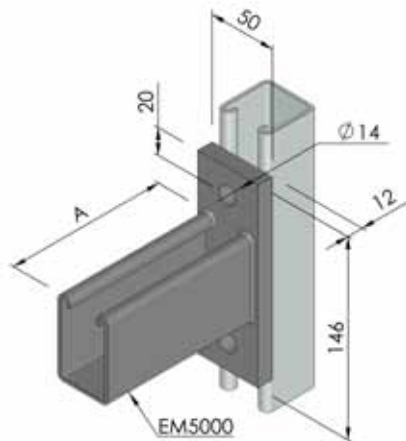
Part No:	Load kN:	Mass kg/100:	A:
EMC2542	7.57	228	305
EMC2543	5.22	314	460
EMC2544	3.98	400	610
EMC2545	3.21	487	760
EMC2546	2.67	574	915

General Data for Cantilever Brackets:
 Standard finish HDG to AS/NZ4077 Galvanising requirements
 Safety factor on all brackets = 2.5
 Manufactured to ISO 9001
 Load values should be calculated using AS/NZS4600 Cold-Formed Steel Structures Code

All products manufactured in accordance with ISO9001 Standard

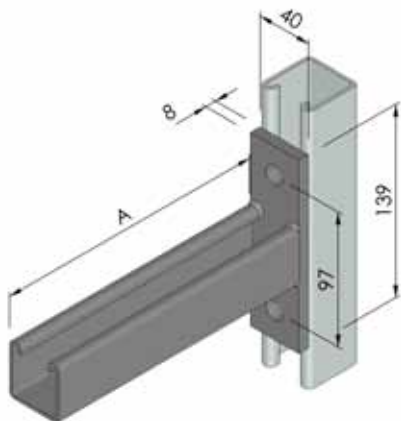
Cantilever Brackets - 41mm Channel Width Series

EMC5663-300 - 750



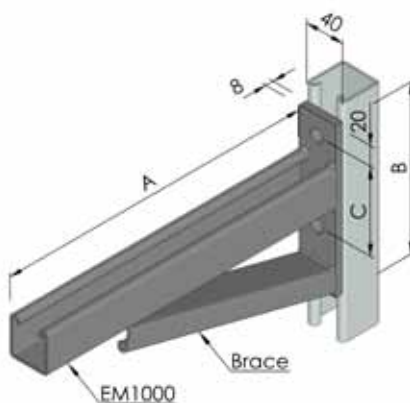
Part No:	Load kN:	A:	Mass kg/100:
EMC5663-300	6.93	300	173
EMC5663-450	4.78	450	224
EMC5663-600	3.62	600	276
EMC5663-750	2.91	750	327

EMC150 - 750



Part No:	Load kN:	A:	Mass kg/100:
EMC150	3.81	150	61
EMC300	3.61	300	122
EMC450	2.11	450	161
EMC600	1.48	600	202
EMC750	1.14	750	245

EMCB300 - 750



Part No:	Load kN:	A:	B:	C:	Mass kg/100:
EMCB300	4.47	320	165	86	170
EMCB450	4.17	470	165	86	230
EMCB600	3.33	635	215	112	340
EMCB750	2.80	780	215	112	380

CB
4

General Data for Cantilever Brackets:

Standard finish HDG to AS/NZ4077 Galvanising requirements
 Safety factor on all brackets = 2.5
 Manufactured to ISO 9001
 Load values should be calculated using AS/NZS4600 Cold-Formed Steel Structures Code

All products manufactured in accordance with ISO9001 Standard