



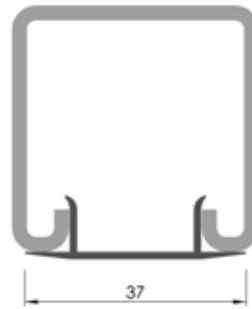
General Fittings

GF
1



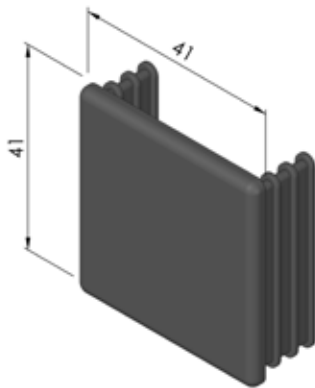
Channel Cap Accessories - 41mm Channel Width Series

EM1184 PL GREY



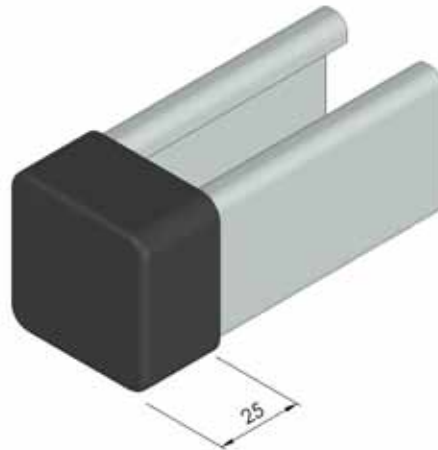
Mass: 0.11kg/m
Unit: 3 Meter
Type: Plastic

EM2240 PL GREY

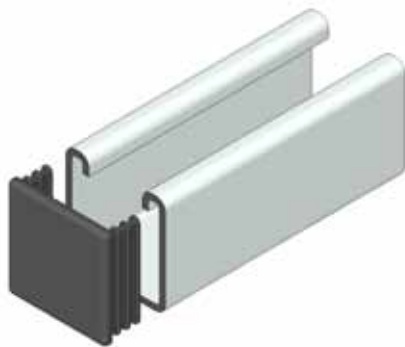


Mass: 0.70kg/100
Unit: Each
Type: Plastic

EM2860-10 GREY

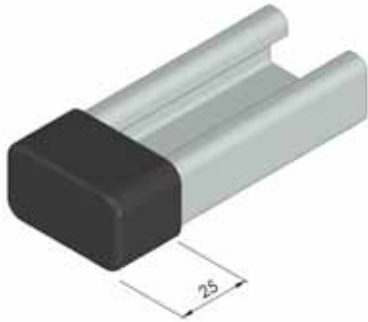


Mass: 1.54kg/100
Unit: Each
Type: Plastic



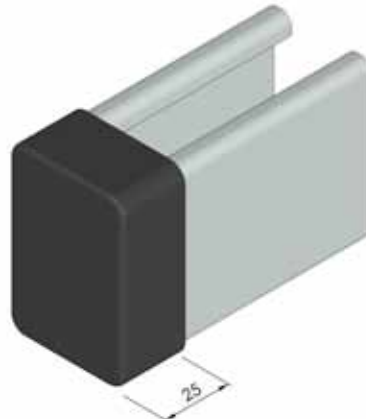
Channel Cap Accessories - 41mm Channel Width Series

EM2860-30 PL GREY



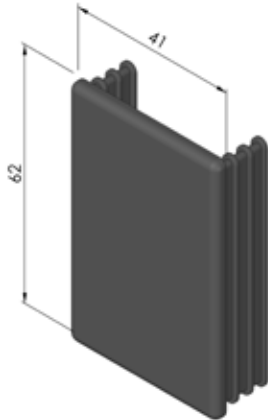
Mass: 0.14kg/100
Unit: Each
Type: Plastic

EM2860-50 PL GREY



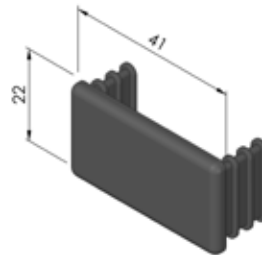
Mass: 2.13kg/100
Unit: Each
Type: Plastic

EM5580 PL GREY



Mass: 1.2kg/100
Unit: Each
Type: Plastic

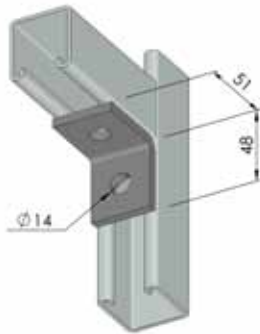
EM4240 PL GREY



Mass: 0.40kg/100
Unit: Each
Type: Plastic

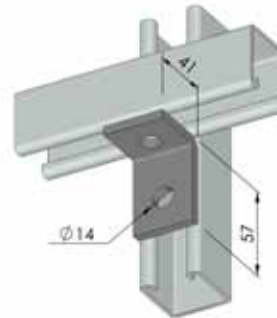
90° Angle Fittings - 41mm Channel Width Series

EM1026



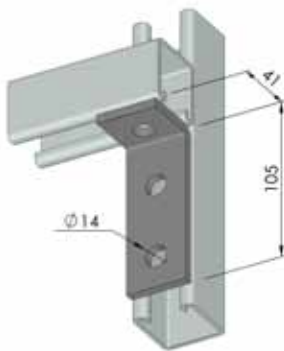
Mass: 17kg/100

EM1068



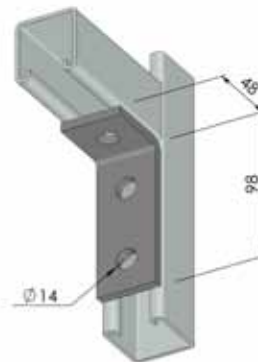
Mass: 17kg/100

EM1326



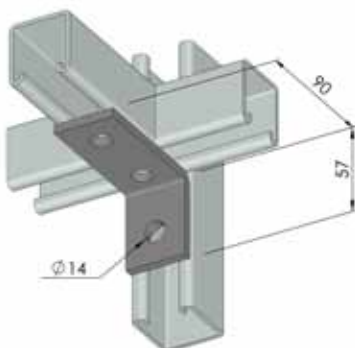
Mass: 24kg/100

EM1346



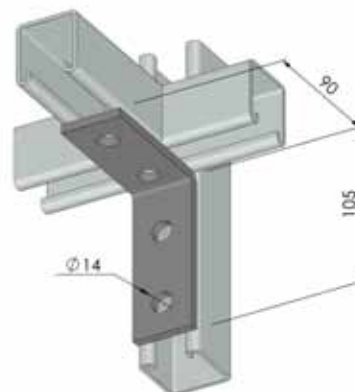
Mass: 24kg/100

EM1458



Mass: 24kg/100

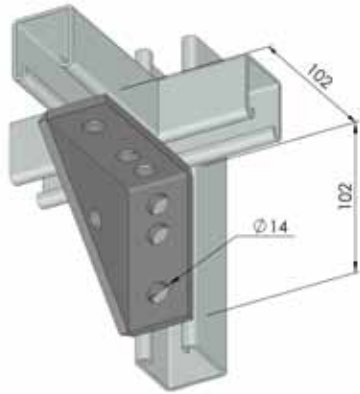
EM1325



Mass: 33kg/100

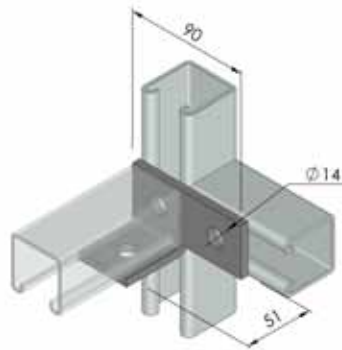
90° Angle Fittings - 41mm Channel Width Series

EM2484



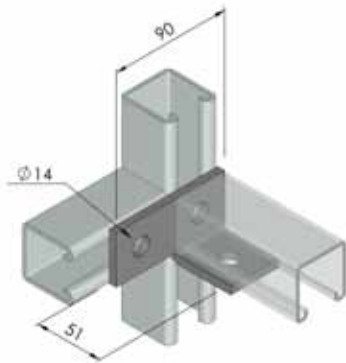
Mass: 61kg/100

EM1038



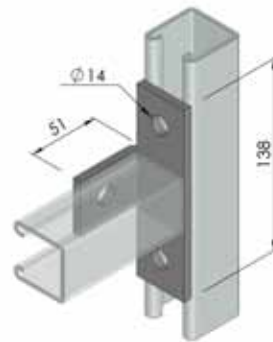
Mass: 25kg/100

EM1037



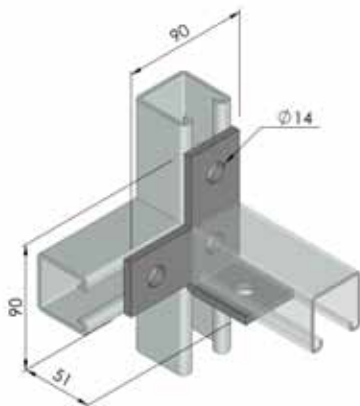
Mass: 25kg/100

EM1033



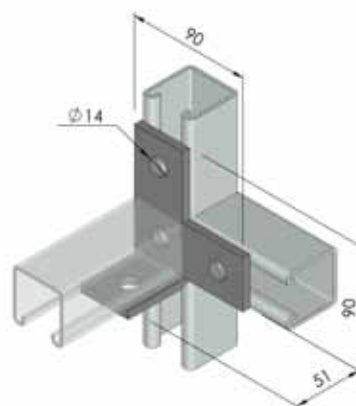
Mass: 35kg/100

EM1034



Mass: 35kg/100

EM1035



Mass: 35kg/100

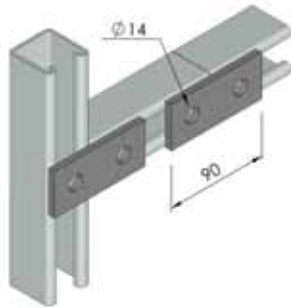
GF
6

General Data for 90° Angle Fittings:
 Hole Size: Ø14
 Hole Spacing: 21 from end; 48 centres
 Width: 40
 Thickness: 6
 Finish: HDG unless specified otherwise

All products manufactured in accordance with ISO9001 Standard

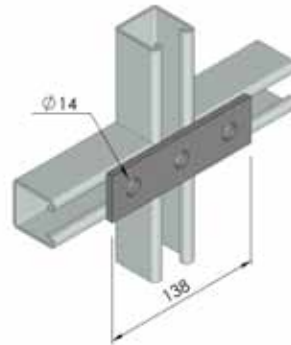
Flat Plate Fittings - 41mm Channel Width Series

EM1065



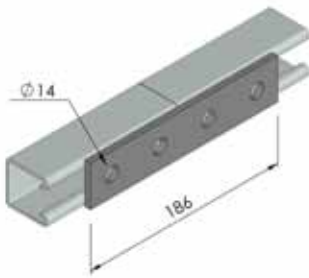
Mass: 16kg/100

EM1066



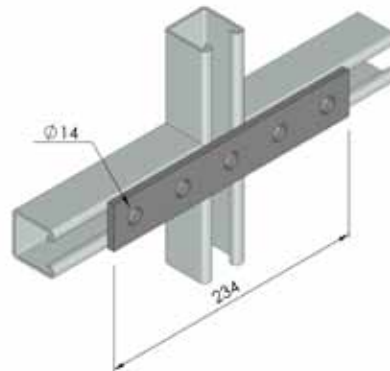
Mass: 24kg/100

EM1067



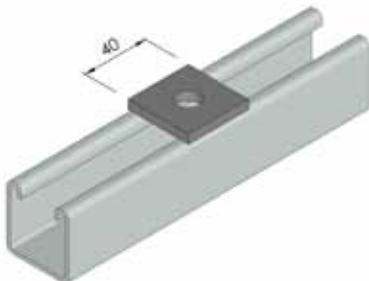
Mass: 32kg/100

EM1941



Mass: 41kg/100

EM1062-EM1964 Square Washers



Part No:	Bolt Size:	Hole Size:	Mass kg/100
EM1062	8	9	7
EM1063	10	12	6.8
EM1064	12	14	6.6
EM1964	16	18	6.4

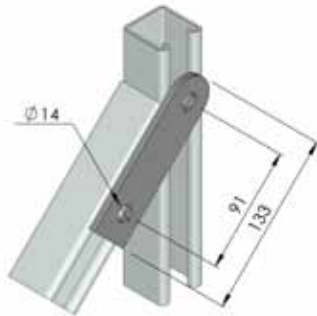
General Data for Flat Plate Fittings:

Hole Size: Ø14
 Hole Spacing: 21 from end; 48 centres
 Width: 40
 Thickness: 6
 Finish: HDG unless specified otherwise

All products manufactured in accordance with ISO9001 Standard

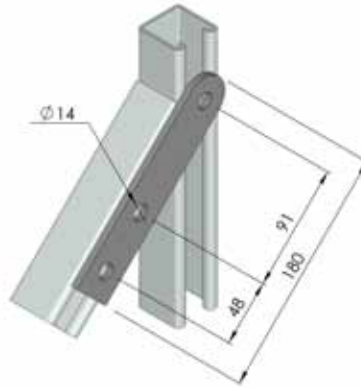
Flat Plate Fittings - 41mm Channel Width Series

EM2325



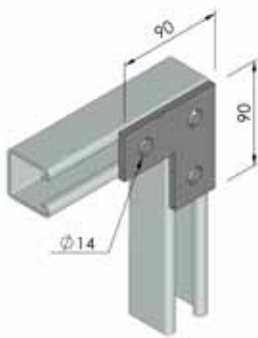
Mass: 23kg/100

EM2324



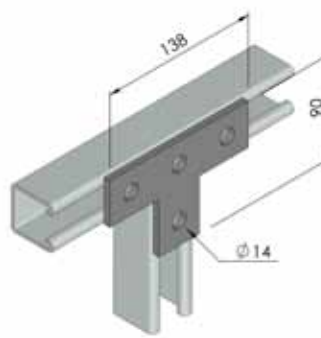
Mass: 31kg/100

EM1036



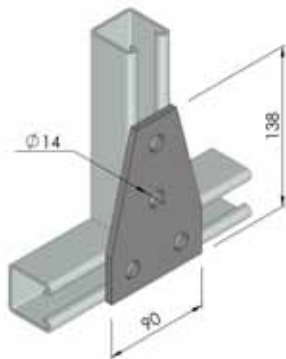
Mass: 25kg/100

EM1031



Mass: 35kg/100

EM1358



Mass: 48kg/100

GF
8

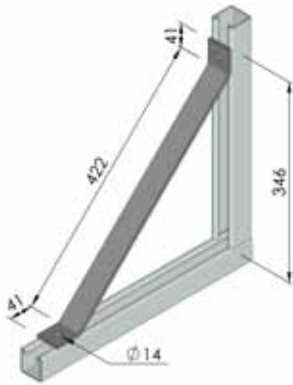
General Data for Flat Plate Fittings:

Hole Size: Ø14
 Hole Spacing: 21 from end; 48 centres
 Width: 40
 Thickness: 6
 Finish: HDG unless specified otherwise

All products manufactured in accordance with ISO9001 Standard

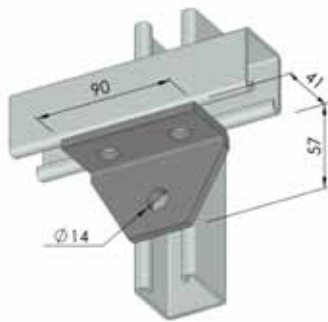
Angular Fittings - 41mm Channel Width Series

EM2452



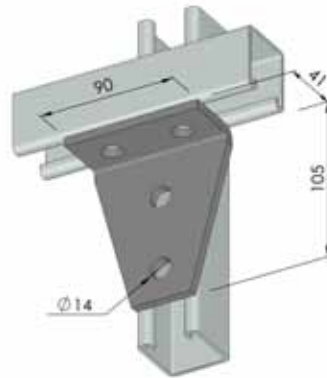
Design Axial Load: 5.36kN
Mass: 103kg/100

EM1357



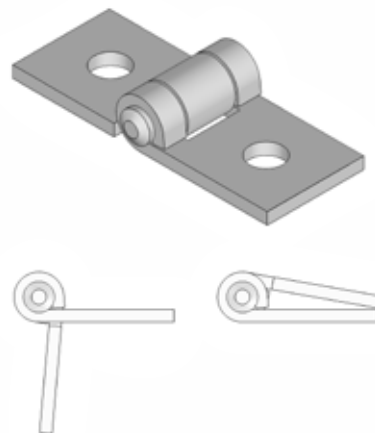
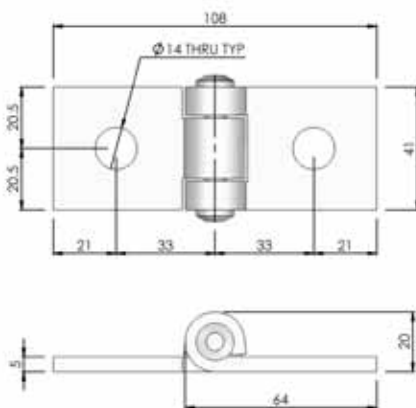
Mass: 32kg/100

EM1359



Mass: 48kg/100

EM1843



Mass: 23kg/100
Finish: Zinc Plated

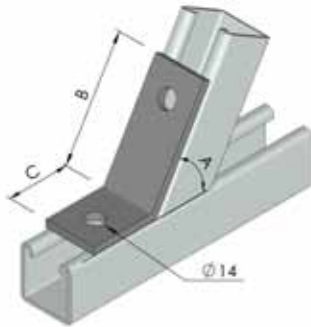
General Data for Angular Fittings:

Hole Size: Ø14
Hole Spacing: 21 from end; 48 centres
Width: 40
Thickness: 6
Finish: HDG unless specified otherwise

All products manufactured in accordance with ISO9001 Standard

Angular Fittings - 41mm Channel Width Series

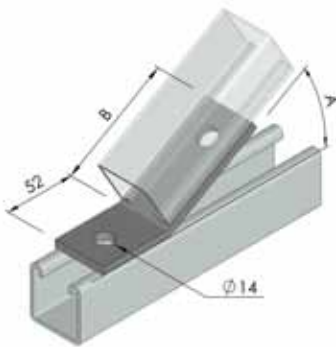
EM2095 to EM1546



Part No:	A:	B:	C:
EM2095	75°	91	43
EM2097	60°	86	48
EM1546	45°	76	60

Mass: 26kg/100

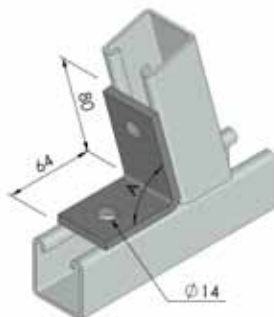
EM2101 & EM2103



Part No:	A:	B:
EM2101	30°	83
EM2103	15°	84

Mass: 26kg/100

EM2106 to EM1186



Part No:	A:
EM2106	75°
EM2108	60°
EM1186	45°

GF
10

Mass: 26kg/100

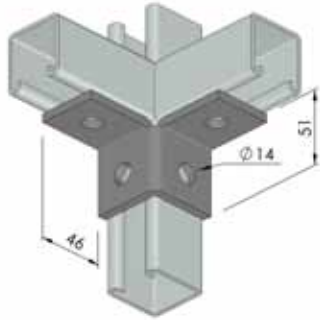
General Data for Angular Fittings:

Hole Size: Ø14
 Hole Spacing: 21 from end; 48 centres
 Width: 40
 Thickness: 6
 Finish: HDG unless specified otherwise

All products manufactured in accordance with ISO9001 Standard

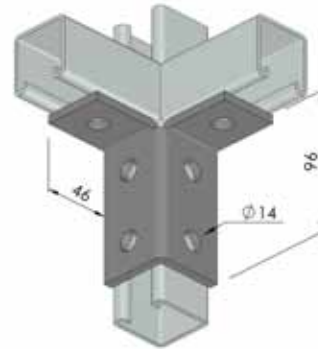
Wing-Shaped Brackets - 41mm Channel Width Series

EM2223



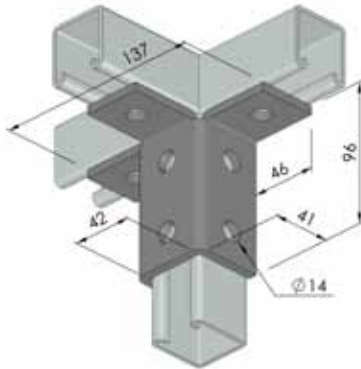
Mass: 34kg/100

EM2224



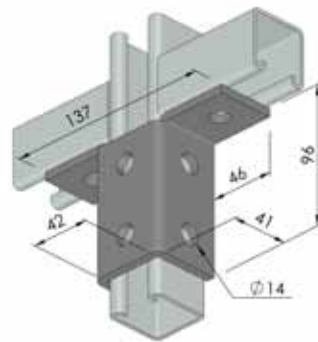
Mass: 50kg/100

EM2228



Mass: 78kg/100

EM2346



Mass: 66kg/100

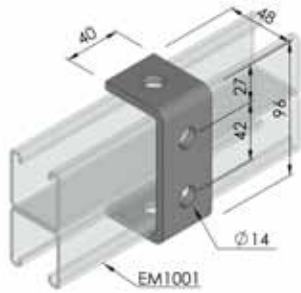
General Data for Wing-Shaped Brackets:

Hole Size: Ø14
 Hole Spacing: 21 from end; 48 centres
 Width: 40
 Thickness: 6
 Finish: HDG unless specified otherwise

All products manufactured in accordance with ISO9001 Standard

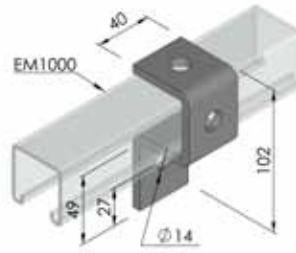
U-Shaped Brackets - 41mm Channel Width Series

EM1044



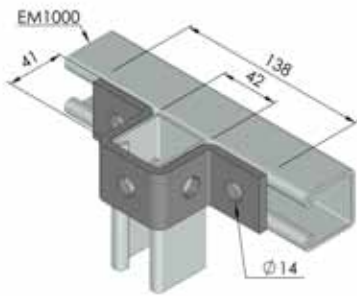
Mass: 30kg/100

EM1046



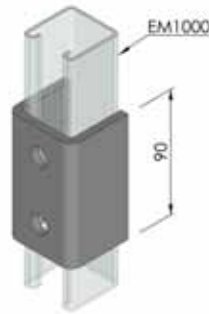
Mass: 35kg/100

EM1047



Mass: 37kg/100

EM1376



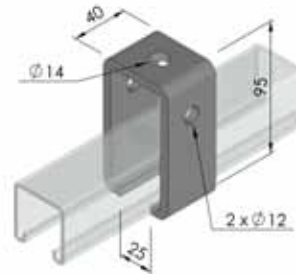
Mass: 56kg/100

EM1377



Mass: 115kg/100

EM1834



Mass: 46kg/100
Design Load: 5.34kN
M10x70 Bolt and Nut included

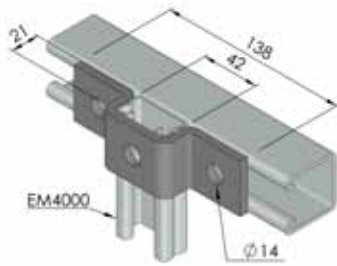
GF
12

General Data for U-Shaped Brackets:
Hole Size: Ø14
Hole Spacing: 21 from end; 48 centres
Width: 40
Thickness: 6
Finish: HDG unless specified otherwise

All products manufactured in accordance with ISO9001 Standard

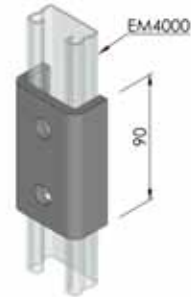
U-Shaped Brackets - 41mm Channel Width Series

EM4047



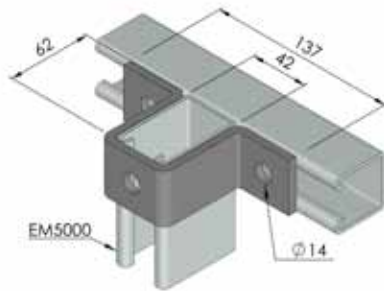
Mass: 30kg/100

EM4376



Mass: 38kg/100

EM5547



Mass: 47kg/100

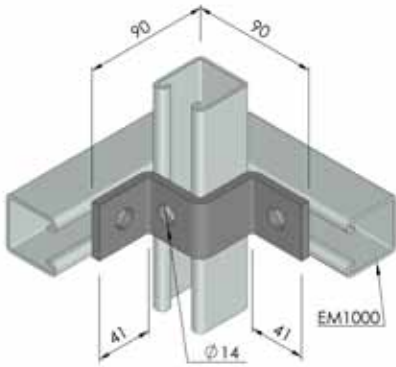
General Data for U-Shaped Brackets:

Hole Size: $\varnothing 14$
Hole Spacing: 21 from end; 48 centres
Width: 40
Thickness: 6
Finish: HDG unless specified otherwise

All products manufactured in accordance with ISO9001 Standard

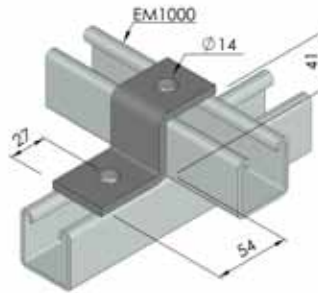
Z-Shaped Brackets - 41mm Channel Width Series

EM1736



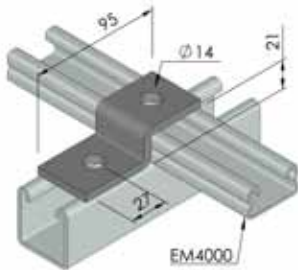
Mass: 27kg/100

EM1045



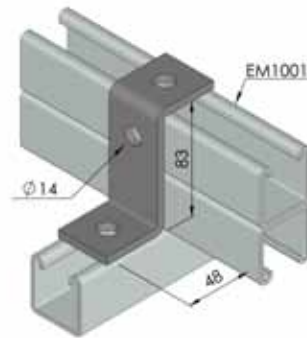
Mass: 24kg/100

EM4045



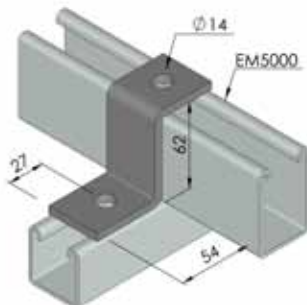
Mass: 20kg/100

EM1453



Mass: 30kg/100

EM5545



Mass: 29kg/100

General Data for U-Shaped Brackets:

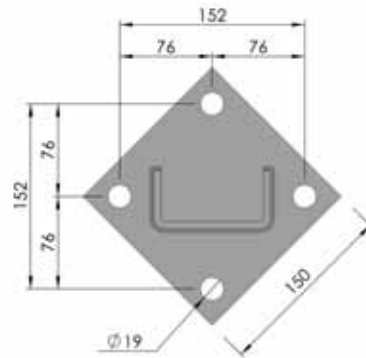
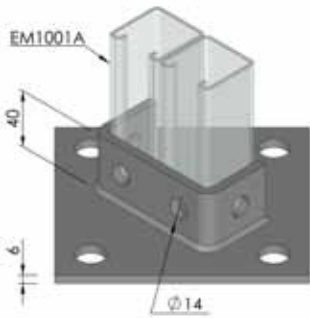
- Hole Size: Ø14
- Hole Spacing: 21 from end; 48 centres
- Width: 40
- Thickness: 6
- Finish: HDG unless specified otherwise

All products manufactured in accordance with ISO9001 Standard

**GF
14**

Base Plates - 41mm Channel Width Series

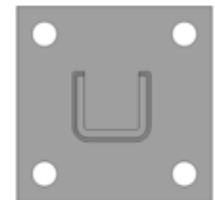
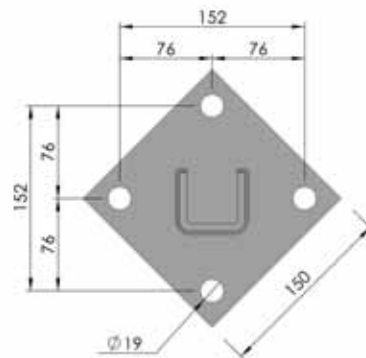
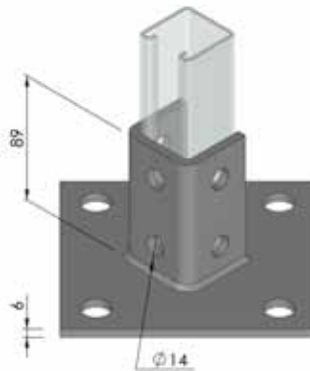
EM2073



Mass: 140kg/100

4 Holes, 19 dia.

EM2072A

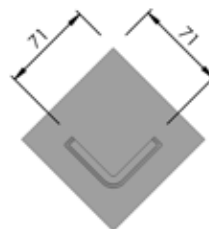
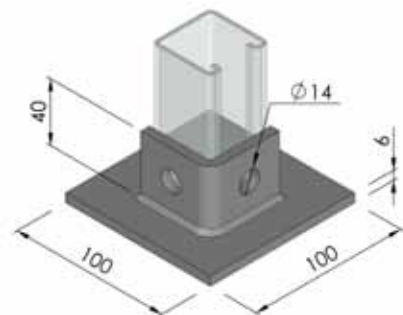


*square version (shown above) is available on request

Mass: 164kg/100

4 Holes, 19 dia.

EM2072S1



Mass: 62kg/100

General Data for Base Plate Brackets:

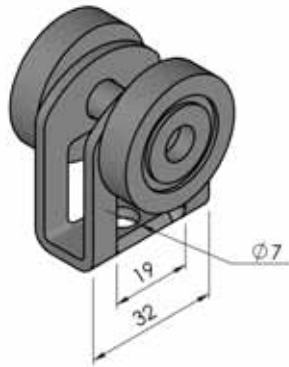
Hole Size: Ø14
 Thickness: 6
 Finish: HDG unless specified otherwise

All products manufactured in accordance with ISO9001 Standard

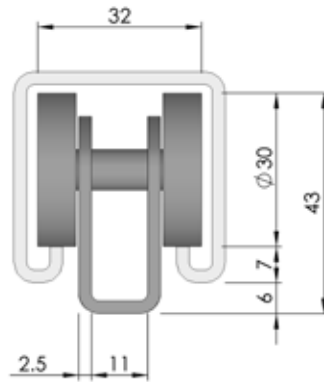
salesinfo@mechanicalsupport.co.nz PO Box 204336 Highbrook Auckland www.mechanicalsupport.co.nz

Trolley Assemblies - 41mm Channel Width Series

EM2749

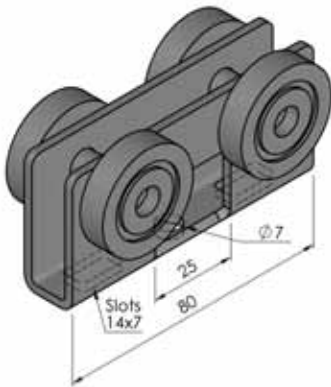


Mass: 10kg/100
Clevis: 2.5mm

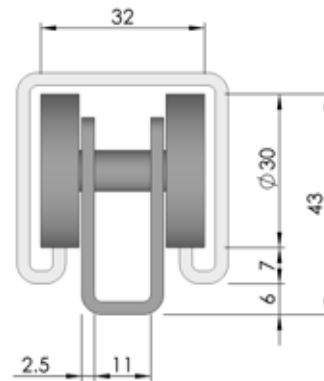


Approximate design load: 0.22kN
Steel ball bearing wheel

EM2750

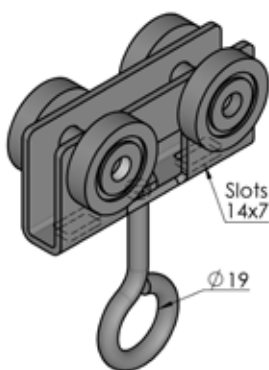


Mass: 22kg/100

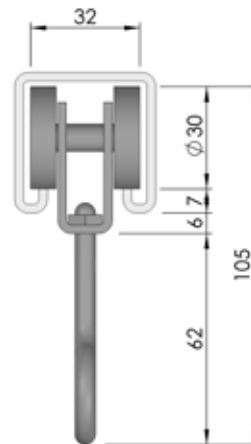


Approximate design load: 0.45kN
Steel ball bearing wheel

EM2751



Mass: 26kg/100
Clevis: 2.5mm

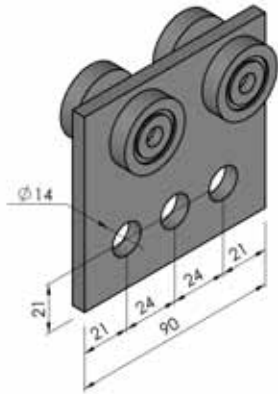


Approximate design load: 0.45kN
Steel ball bearing wheel

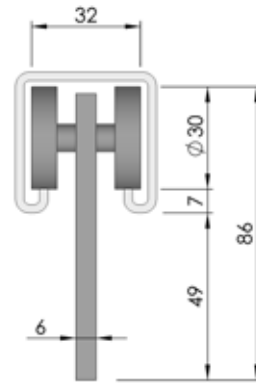
GF
16

All products manufactured in accordance with ISO9001 Standard

EM2950



Mass: 48kg/100



Approximate design load: 2.35kN
Steel ball bearing wheel

General Data for Trolley Assemblies:
Finish: Zinc plated unless specified otherwise

All products manufactured in accordance with ISO9001 Standard

