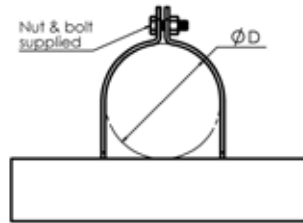
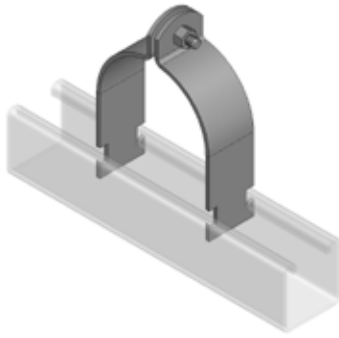


Pipe Supports

PS
1



2 Piece Clips



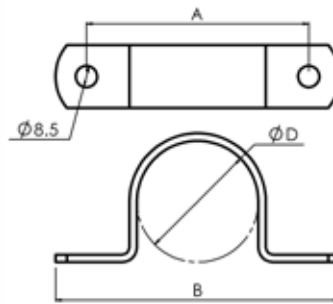
Part No:	To Suit Outside Pipe Diameter (mm):	Width x Thickness (mm):	Mass (kg):
E2024 HDG	8	32 x 1.6	0.04
E2025 HDG	11	32 x 1.6	0.04
E2026 HDG	14	32 x 1.6	0.04
E2027 HDG	17	32 x 1.6	0.05
E2028 HDG	19	32 x 1.6	0.05
E2029 HDG	22	32 x 1.6	0.05
E2030 HDG	25	32 x 1.6	0.06
E2031 HDG	29	32 x 2.0	0.07
E2032 HDG	32	32 x 2.0	0.07
E2033 HDG	35	32 x 2.0	0.08
E2034 HDG	38	32 x 2.0	0.08
E2035 HDG	43	32 x 2.0	0.09
E2036 HDG	44	32 x 2.0	0.11
E2037 HDG	49	32 x 2.5	0.13
E2038 HDG	51	32 x 2.5	0.14
E2039 HDG	54	32 x 2.5	0.15
E2040 HDG	57	32 x 2.5	0.15
E2041 HDG	60	32 x 2.5	0.15
E2042 HDG	64	32 x 2.5	0.16
E2043 HDG	67	32 x 2.5	0.17
E2044 HDG	70	32 x 2.5	0.17
E2045 HDG	73	32 x 2.5	0.18
E2046 HDG	76	32 x 2.5	0.19
E2047 HDG	79	32 x 2.5	0.20
E2048 HDG	83	32 x 2.5	0.21
E2049 HDG	86	32 x 2.5	0.21
E2050 HDG	90	32 x 2.5	0.21
E2051 HDG	92	32 x 2.5	0.25
E2052 HDG	95	32 x 2.5	0.26
E2053 HDG	98	32 x 2.5	0.27
E2054 HDG	102	32 x 2.5	0.28
E2055 HDG	105	32 x 2.5	0.28
E2056 HDG	108	32 x 2.5	0.29
E2057 HDG	111	32 x 2.5	0.30
E2058 HDG	114	32 x 2.5	0.30
E2059 HDG	117	32 x 2.5	0.32
E2060 HDG	121	32 x 2.5	0.33
E2062 HDG	127	32 x 2.5	0.34
E2064 HDG	133	32 x 2.5	0.35
E2066 HDG	140	32 x 2.5	0.36
E2068 HDG	146	32 x 2.5	0.41
E2070 HDG	152	32 x 2.5	0.43

Custom sizes can be manufactured on request.

All products manufactured in accordance with ISO9001 Standard

Pipe Supports

Light Duty Saddles

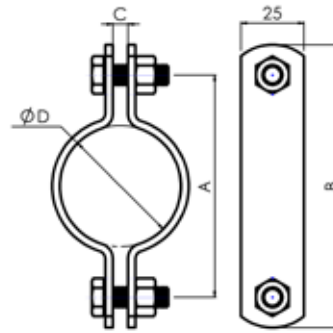
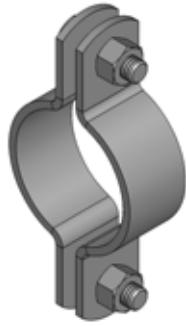


Standard Finish: Hot Dipped Galvanised
 Material: 25 x 3mm
 Working Load: 0.75 kN
 Safety Factor: 2.5

Part No:	D Outside Pipe Dia. (mm):	A (mm):	B (mm):	Mass (kg):
EMC04-016	16	56	80	0.04
EMC04-019	19	59	83	0.04
EMC04-021	21	61	85	0.05
EMC04-025	25	65	89	0.06
EMC04-027	27	67	91	0.07
EMC04-032	32	72	96	0.07
EMC04-034	34	74	98	0.08
EMC04-038	38	78	102	0.08
EMC04-043	43	83	107	0.08
EMC04-048	48	88	112	0.09
EMC04-051	51	91	115	0.09
EMC04-060	60	100	124	0.12
EMC04-064	64	104	128	0.12
EMC04-073	73	113	137	0.14
EMC04-076	76	116	140	0.16
EMC04-089	89	129	153	0.18
EMC04-102	102	142	166	0.18
EMC04-114	114	154	178	0.20
EMC04-127	127	167	191	0.20
EMC04-140	140	180	204	0.21
EMC04-152	152	192	216	0.22
EMC04-165	165	205	229	0.24

Custom sizes can be manufactured on request.

Light Duty 2 Piece Clamps



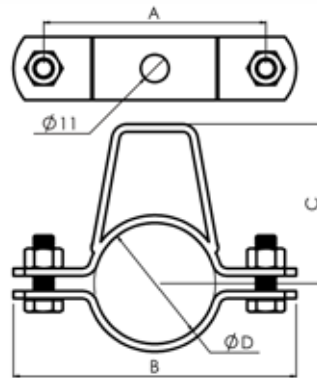
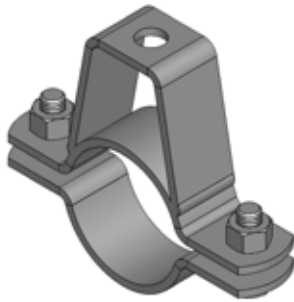
Standard Finish: Hot Dipped Galvanised
 Material: 25 x 3mm
 Working Load: 2.88 kN
 Safety Factor: 2.5

Part No:	D Outside Pipe Dia. (mm):	A (mm):	B (mm):	C (mm):	Bolt Size (mm):	Mass (kg):
EMC06-019	19	59	83	6	M8	0.10
EMC06-021	21	61	85	6	M8	0.10
EMC06-025	25	65	89	6	M8	0.11
EMC06-027	27	67	91	6	M8	0.11
EMC06-032	32	72	96	6	M8	0.14
EMC06-034	34	74	98	6	M8	0.14
EMC06-038	38	78	102	6	M8	0.15
EMC06-043	43	83	107	6	M8	0.15
EMC06-048	48	88	112	6	M8	0.15
EMC06-051	51	91	115	6	M8	0.15
EMC06-060	60	100	124	6	M8	0.15
EMC06-064	64	104	128	6	M8	0.19
EMC06-073	73	113	137	6	M8	0.19
EMC06-076	76	116	140	6	M8	0.19
EMC06-089	89	129	153	6	M8	0.21
EMC06-102	102	142	166	6	M8	0.23
EMC06-114	114	154	178	6	M8	0.26
EMC06-127	127	167	191	6	M8	0.28
EMC06-140	140	180	204	6	M8	0.31
EMC06-152	152	192	216	6	M8	0.33
EMC06-165	165	205	229	6	M8	0.37

Custom sizes can be manufactured on request.

Pipe Supports

Light Duty 2 Piece Yoke Clamps

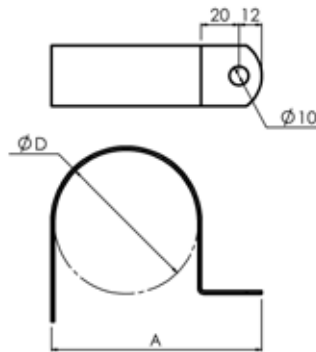


Standard Finish: Hot Dipped Galvanised
 Material: 25 x 3mm
 Working Load: 0.38 kN
 Safety Factor: 2.5

Part No:	D Outside Pipe Dia. (mm):	A (mm):	B (mm):	C (mm):	Mass (kg):
EMC08-019	19	59	83	47	0.17
EMC08-021	21	61	85	47	0.17
EMC08-025	25	65	89	47	0.19
EMC08-027	27	67	91	47	0.19
EMC08-032	32	72	96	52	0.19
EMC08-034	34	74	98	54	0.20
EMC08-038	38	78	102	56	0.21
EMC08-043	43	83	107	60	0.21
EMC08-048	48	88	112	63	0.21
EMC08-051	51	91	115	65	0.21
EMC08-060	60	100	124	70	0.21
EMC08-064	64	104	128	72	0.26
EMC08-073	73	113	137	77	0.27
EMC08-076	76	116	140	79	0.28
EMC08-089	89	129	153	86	0.30
EMC08-102	102	142	166	93	0.31
EMC08-114	114	154	178	99	0.34
EMC08-127	127	167	191	105	0.37
EMC08-140	140	180	204	112	0.38
EMC08-152	152	192	216	118	0.41
EMC08-165	165	203	229	125	0.44

Custom sizes can be manufactured on request.

Single Piece Channel Clamps



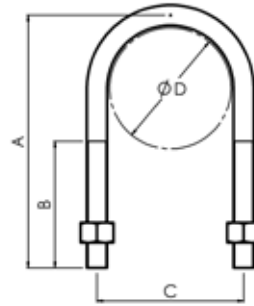
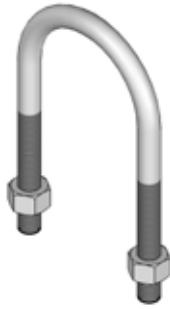
Standard Finish: Hot Dipped Galvanised
 Working Load: 1.76 kN
 Safety Factor: 2.5

Part No:	D Outside Pipe Dia. (mm):	A (mm):	Width x Thickness (mm):	Mass (kg):
EMC10-016	16	51	32 x 1.5	0.02
EMC10-017	17	52	32 x 1.5	0.02
EMC10-021	21	56	32 x 1.5	0.03
EMC10-025	25	60	32 x 1.5	0.04
EMC10-027	27	62	32 x 1.5	0.04
EMC10-032	32	67	32 x 1.5	0.04
EMC10-034	34	69	32 x 1.5	0.05
EMC10-038	38	73	32 x 1.5	0.05
EMC10-043	43	78	32 x 1.5	0.06
EMC10-048	48	83	32 x 1.5	0.06
EMC10-051	51	86	32 x 1.5	0.07
EMC10-060	60	95	32 x 1.5	0.14
EMC10-064	64	99	32 x 1.5	0.15
EMC10-076	76	111	32 x 1.5	0.18
EMC10-089	89	124	32 x 1.5	0.18
EMC10-102	102	137	32 x 1.5	0.20
EMC10-114	114	149	32 x 2.4	0.24
EMC10-140	140	175	32 x 2.4	0.28
EMC10-152	152	187	32 x 2.4	0.31
EMC10-165	165	200	32 x 2.4	0.34

Custom sizes can be manufactured on request.

Pipe Supports

U-Bolt Guide Supports

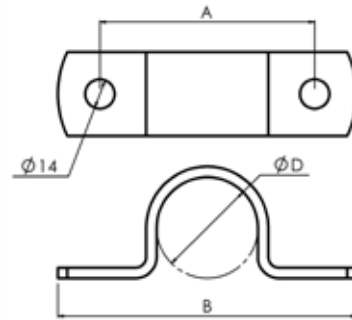


Standard Finish: Hot Dipped Galvanised

Part No:	D Outside Pipe Dia. (mm):	A (mm):	B (mm):	C (mm):	Mass (kg):
EMC14-021	21	65	50	31	0.09
EMC14-027	27	77	50	37	0.10
EMC14-034	34	85	50	44	0.12
EMC14-043	43	93	50	53	0.13
EMC14-048	48	100	50	58	0.14
EMC14-051	51	103	50	61	0.14
EMC14-060	60	110	50	70	0.16
EMC14-076	76	127	50	88	0.28
EMC14-089	89	140	50	101	0.30
EMC14-102	102	152	50	114	0.35
EMC14-114	114	165	50	126	0.38
EMC14-140	140	190	50	152	0.40
EMC14-165	165	215	50	177	0.44
EMC14-168	168	220	50	180	0.48
EMC14-219	219	295	75	235	1.13
EMC14-273	273	370	100	293	2.20
EMC14-324	324	420	100	344	2.52
EMC14-356	356	455	100	376	2.74
EMC14-406	406	505	100	426	3.05
EMC14-457	457	555	100	481	4.87
EMC14-508	508	605	100	532	5.32

Custom sizes can be manufactured on request.

Medium Duty Saddles



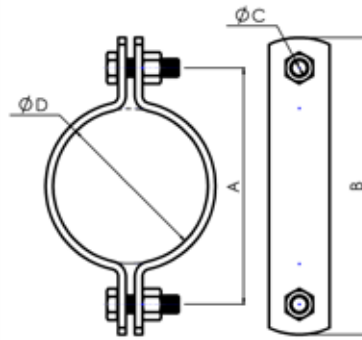
Standard Finish: Hot Dipped Galvanised
 Safety Factor: 2.5

Part No:	D Outside Pipe Dia. (mm):	A (mm):	B (mm):	Width x Thickness (mm):	Working Load (kN):	Mass (kg):
EMC15-021	21	75	115	40 x 5	2.46	0.14
EMC15-027	27	81	121	40 x 5	2.46	0.20
EMC15-034	34	88	128	40 x 5	2.46	0.28
EMC15-043	43	97	137	40 x 5	2.46	0.34
EMC15-048	48	102	142	40 x 5	2.46	0.34
EMC15-051	51	105	145	40 x 5	2.46	0.34
EMC15-060	60	114	154	40 x 5	2.46	0.40
EMC15-076	76	130	170	40 x 5	2.46	0.46
EMC15-089	89	143	183	40 x 5	2.46	0.54
EMC15-102	102	156	196	40 x 5	2.46	0.58
EMC15-114	114	170	210	40 x 6	3.57	0.65
EMC15-140	140	196	236	40 x 6	3.57	0.75
EMC15-165	165	221	261	50 x 6	4.44	1.25
EMC15-168	168	224	264	50 x 6	4.44	1.27
EMC15-203	203	259	299	50 x 6	4.44	1.48
EMC15-219	219	278	315	50 x 6	4.44	1.58

Custom sizes can be manufactured on request.

Pipe Supports

Medium Duty 2 Piece Clamps

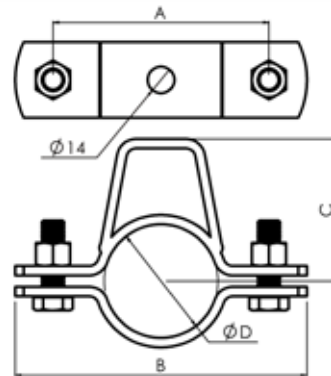
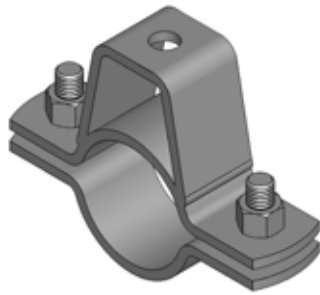


Standard Finish: Hot Dipped Galvanised
 Working Load: 7.20 kN
 Safety Factor: 2.5

Part No:	D Outside Pipe Dia. (mm):	A (mm):	B (mm):	C (mm):	Width x Thickness (mm):	Mass (kg):
EMC16-060	60	114	154	M12	40 x 5	0.72
EMC16-076	76	130	170	M12	40 x 5	0.84
EMC16-089	89	143	183	M12	40 x 5	1.02
EMC16-102	102	156	196	M12	40 x 5	1.12
EMC16-114	114	170	210	M12	40 x 6	1.17
EMC16-127	127	181	221	M12	40 x 6	1.25
EMC16-140	140	194	234	M12	40 x 6	1.31
EMC16-152	152	206	246	M12	40 x 6	1.38
EMC16-165	165	219	259	M12	40 x 6	1.46
EMC16-178	178	232	272	M12	40 x 6	1.54
EMC16-190	190	244	284	M12	40 x 6	1.64
EMC16-203	203	257	297	M12	40 x 6	1.69
EMC16-219	219	273	313	M12	40 x 6	1.78
EMC16-230	230	284	324	M12	40 x 6	1.84
EMC16-240	240	294	334	M16	50 x 6	2.02
EMC16-252	252	304	344	M16	50 x 6	2.09
EMC16-273	273	327	367	M16	50 x 6	2.14
EMC16-324	324	378	418	M16	50 x 6	2.98

Custom sizes can be manufactured on request.

Medium Duty 2 Piece Yoke Clamps



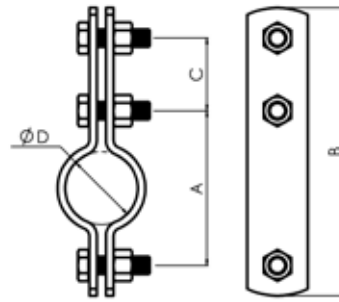
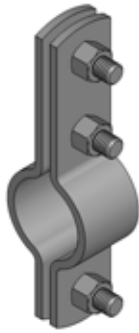
Standard Finish: Hot Dipped Galvanised
 Safety Factor: 2.5

Part No:	D Outside Pipe Dia. (mm):	A (mm):	B (mm):	C (mm):	Width x Thickness (mm):	Working Load (kN):	Mass (kg):
EMC18-060	60	114	154	75	40 x 5	1.24	1.10
EMC18-076	76	130	170	88	40 x 5	1.24	1.16
EMC18-089	89	143	183	99	40 x 5	1.24	1.24
EMC18-102	102	156	196	108	40 x 5	1.24	1.32
EMC18-114	114	170	210	116	40 x 6	1.78	1.36
EMC18-127	127	181	221	124	40 x 6	1.78	1.46
EMC18-140	140	194	234	132	40 x 6	1.78	1.56
EMC18-152	152	206	246	139	40 x 6	1.78	1.60
EMC18-165	165	219	259	146	40 x 6	1.78	1.66
EMC18-178	178	232	272	153	40 x 6	1.78	1.77
EMC18-203	203	257	297	167	40 x 6	1.78	1.80
EMC18-219	219	273	313	175	40 x 6	1.78	1.86
EMC18-230	230	284	324	181	40 x 6	1.78	2.10

Custom sizes can be manufactured on request.

Pipe Supports

Heavy Duty 3 Bolt Clamps

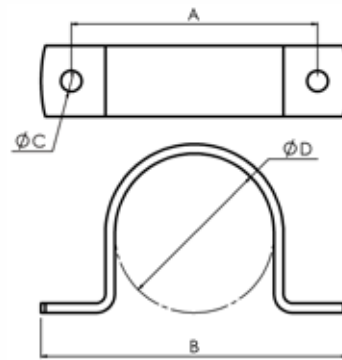


Standard Finish: Hot Dipped Galvanised
 Safety Factor: 2.5

Part No:	D Outside Pipe Dia. (mm):	A (mm):	B (mm):	C (mm):	Width x Thickness (mm):	Bolt Size (mm):	Working Load (kN):	Mass (kg):
EMC20-021	21	71	159	48	25 x 5	M10 x 30	5.02	0.34
EMC20-027	27	77	165	48	25 x 5	M10 x 30	5.02	0.36
EMC20-034	34	88	176	48	40 x 6	M12 x 45	7.24	0.58
EMC20-043	43	97	185	48	40 x 6	M12 x 45	7.24	0.62
EMC20-048	48	102	190	48	40 x 6	M12 x 45	7.24	0.64
EMC20-060	60	122	210	48	50 x 6	M16 x 50	11.52	1.57
EMC20-076	76	138	226	48	50 x 6	M16 x 50	11.52	1.69
EMC20-089	89	151	239	48	50 x 6	M16 x 50	11.52	1.79
EMC20-114	114	200	339	75	75 x 10	M20 x 60	20.10	5.17
EMC20-140	140	226	365	75	75 x 10	M20 x 60	20.10	5.65
EMC20-165	165	251	390	75	75 x 10	M20 x 60	20.10	6.13
EMC20-219	219	305	444	75	75 x 10	M24 x 60	28.80	7.83
EMC20-273	273	359	498	75	75 x 10	M24 x 60	28.80	8.83
EMC20-324	324	410	549	75	75 x 10	M24 x 60	28.80	9.77
EMC20-356	356	464	628	100	75 x 16	M30 x 80	45.18	17.04
EMC20-406	406	514	678	100	75 x 16	M30 x 80	45.18	18.50
EMC20-457	457	587	763	100	75 x 20	M36 x 100	45.18	24.95
EMC20-508	508	638	814	100	75 x 20	M36 x 100	45.18	26.83
EMC20-610	610	740	916	100	75 x 20	M36 x 100	45.18	30.61

Custom sizes can be manufactured on request.

Heavy Duty Saddles



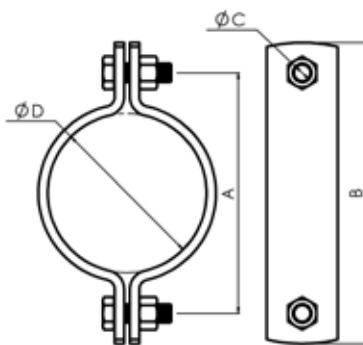
Standard Finish: Hot Dipped Galvanised
 Safety Factor: 2.5

Part No:	D Outside Pipe Dia. (mm):	A (mm):	B (mm):	C (mm):	Width x Thickness (mm):	Working Load (kN):	Mass (kg):
EMC30-168	168	260	324	22	75 x 10	10.87	3.22
EMC30-219	219	310	375	22	75 x 10	10.87	4.21
EMC30-273	273	364	428	22	75 x 10	10.87	4.81
EMC30-324	324	415	479	22	75 x 10	10.87	5.80
EMC30-356	356	447	511	22	75 x 10	10.87	6.10
EMC30-406	406	497	561	26	90 x 12	18.78	9.90
EMC30-457	457	548	612	26	90 x 12	18.78	11.00
EMC30-508	508	600	663	26	90 x 12	18.78	12.12

Custom sizes can be manufactured on request.

Pipe Supports

Heavy Duty 2 Piece Clamps



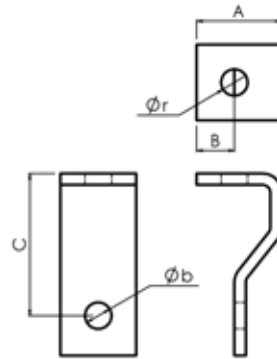
Standard Finish: Hot Dipped Galvanised
 Safety Factor: 2.5

Part No:	D Outside Pipe Dia. (mm):	A (mm):	B (mm):	C (mm):	Width x Thickness (mm):	Working Load (kN):	Mass (kg):
EMC31-168	168	254	318	M20	75 x 10	20.10	5.00
EMC31-219	219	305	369	M20	75 x 10	20.10	6.00
EMC31-273	273	359	423	M20	75 x 10	20.10	7.00
EMC31-324	324	410	474	M20	75 x 10	20.10	8.00
EMC31-356	356	448	512	M24	75 x 12	28.93	11.00
EMC31-406	406	498	562	M24	75 x 12	28.93	12.00
EMC31-457	457	565	629	M30	75 x 16	45.18	19.00

Custom sizes can be manufactured on request.

Pipe Supports

Clevis Hangers

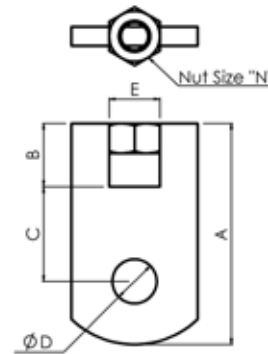
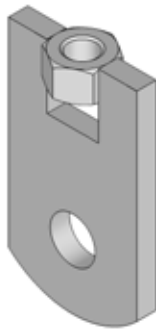


Standard Finish: Hot Dipped Galvanised
Safety Factor: 2.5

Part No:	A (mm):	B (mm):	C (mm):	ϕ_r (mm):	ϕ_b (mm):	Width x Thickness (mm):	Working Load (kN):	Mass (kg):
EMCL10	35	15	70	12	10	25 x 5	1.33	0.08
EMCL12	45	20	75	14	14	40 x 6	2.65	0.20
EMCL16	48	20	100	18	14	50 x 6	4.41	0.32
EMCL20	62	32	112	22	22	75 x 10	5.30	1.08

Custom sizes can be manufactured on request.

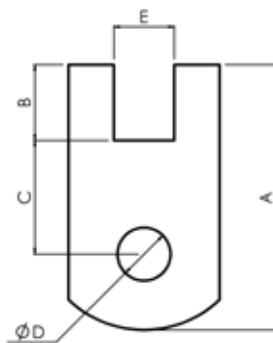
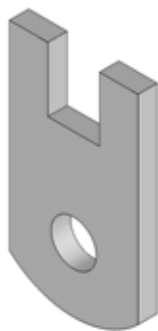
Eye Nuts



Standard Finish: Hot Dipped Galvanised
Safety Factor: 2.5

Part No:	A (mm):	B (mm):	C (mm):	ϕD (mm):	N (mm):	Width x Thickness (mm):	Working Load (kN):	Mass (kg):
EM35/M10	70	20	30	14	M10	40 x 6	3.60	0.13
EM35/M12	80	25	30	18	M12	75 x 10	5.80	0.47
EM35/M16	90	30	35	22	M16	90 x 12	9.72	0.76
EM35/M20	90	30	35	26	M20	90 x 12	14.48	0.76
EM35/M24	120	35	50	32	M24	100 x 20	21.84	1.88

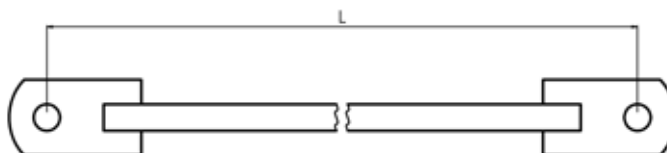
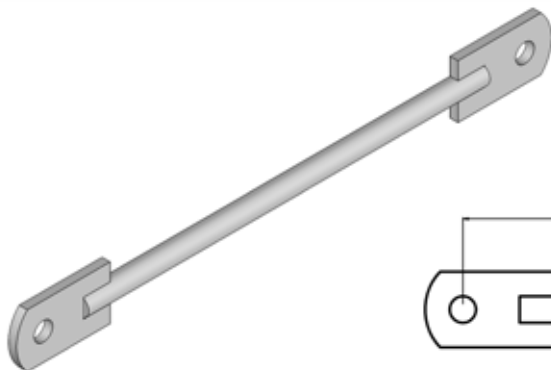
Custom sizes can be manufactured on request.



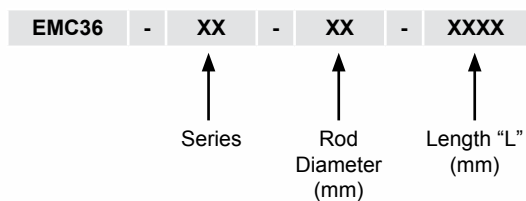
Standard Finish: Hot Dipped Galvanised
 Safety Factor: 2.5

Part No:	A (mm):	B (mm):	C (mm):	ØD (mm):	F (mm):	Width x Thickness (mm):	Mass (kg):
EM36-10	55	15	25	12	12	25 x 5	0.05
EM36-12	70	20	30	14	14	40 x 6	0.10
EM36-16	80	25	30	18	18	75 x 10	0.40
EM36-20	90	30	35	22	22	90 x 12	0.60
EM36-24	90	30	35	26	26	90 x 12	0.70

Custom sizes can be manufactured on request.



Double Blade Ends can be made to order. Use the following to configure the required part number:



Example:

EMC36	-	10	-	10	-	1200
-------	---	----	---	----	---	------

Pipe Supports

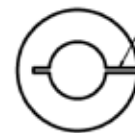
Timber Ferrules

To Suit Outside Pipe Dia. (mm):	Lagging Wall Thickness:		
	25mm	38mm	50mm
	Ferrule Size:		
	I.D. x O.D. (mm):		
13	13 x 64	13 x 89	13 x 114
16	16 x 64	16 x 89	16 x 114
19	19 x 73	19 x 95	19 x 120
21 (15 N.B.)	21 x 73	21 x 102	21 x 120
25	25 x 76	25 x 102	25 x 127
27 (20 N.B.)	27 x 76	27 x 102	27 x 127
32	32 x 76	32 x 114	32 x 140
34 (25 N.B.)	34 x 89	34 x 114	34 x 140
38	38 x 89	38 x 114	38 x 140
43 (32 N.B.)	43 x 95	43 x 114	43 x 140
48 (40 N.B.)	48 x 102	48 x 127	48 x 152
51	51 x 102	51 x 127	51 x 152
60 (50 N.B.)	60 x 114	60 x 140	60 x 165
64	64 x 114	64 x 140	64 x 165
76 (65 N.B.)	76 x 127	76 x 152	76 x 178
89 (80 N.B.)	89 x 140	89 x 165	89 x 190
102	102 x 152	102 x 178	102 x 203
114 (100 N.B.)	114 x 165	114 x 190	114 x 216
127	127 x 178	127 x 203	127 x 230
140 (125 N.B.)	140 x 190	140 x 219	140 x 240
152	152 x 203	152 x 230	152 x 250
165 (150 N.B.)	165 x 219	165 x 240	165 x 273
168	168 x 219	168 x 240	168 x 273
203	203 x 250	203 x 273	203 x 324
219	219 x 273	219 x 295	219 x 324
273	273 x 324	273 x 356	273 x 368

All sizes manufactured on request.



Partially cut for easy snap and install



Part Number Configuration:

EMC60	-	XX	-	XXX	-	XXX
		↑		↑		↑
		Length (mm) [40 or 75]		Ferrule I.D. (mm)		Ferrule O.D. (mm)

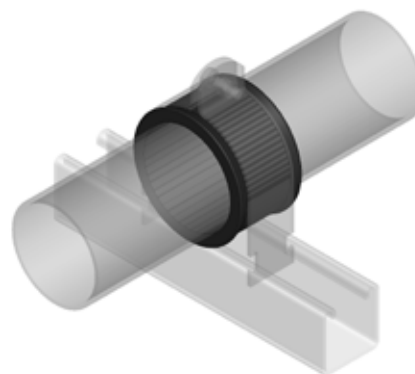
Example:

EMC60	-	40	-	48	-	102
-------	---	----	---	----	---	-----

Flexibarrier

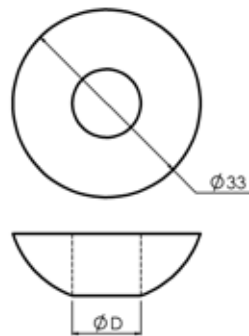
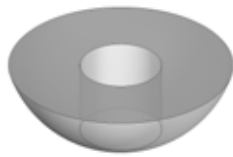
Part No:	Roll Length (m):
EM2600B PL	20

- Absorbs shock
- Protects from abrasion and corrosion
- Isolates sound and vibration
- Allows for expansion and contraction
- Stable from -45° to +175° Celcius
- Flexible black elastomer material
- Can also be purchased by the meter



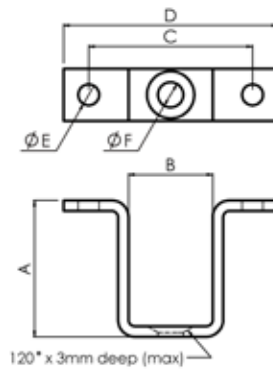
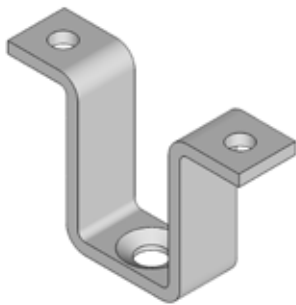
Pipe Supports

Spherical Washers

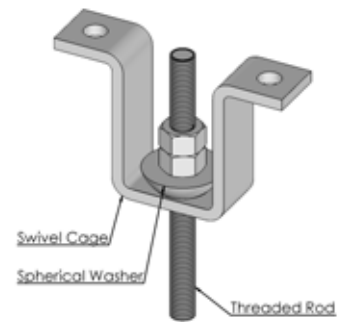


Part No:	ØD (mm):	Mass (kg):
EM37/M06	8	0.10
EM37/M10	12	0.09
EM37/M12	14	0.09
EM37/M16	18	0.07

Swivel Cages



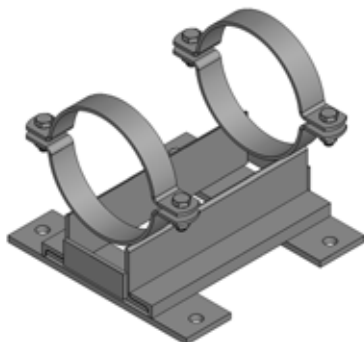
Typical Application:



Part No:	A (mm):	B (mm):	C (mm):	D (mm):	ØE (mm):	ØF (mm):	Width x Thickness (mm):	Mass (kg):
EM38/M06	65	40	78	102	10	8	25 x 5	0.20
EM38/M10	65	40	78	102	10	12	25 x 5	0.20
EM38/M12	65	40	94	134	14	14	40 x 6	0.35
EM38/M16	100	40	94	134	14	18	50 x 6	0.52

Slide Guides

Available on request.



PS
18

All products manufactured in accordance with ISO9001 Standard

Pipe & Tube Data

Copper Tube

Nominal Tube Size Dia. x Wall Thickness (mm):	Actual Outside Dia. (AUS) (mm):	Actual Outside Dia. (NZ) (mm):	Mass (kg/m):	Mass of tube filled with water (kg/m):
15x0.9	12.7	14.7	0.30	0.39
18x1.0	15.9		0.43	0.58
20x1.0	19.0	21.0	0.52	0.75
25x1.2	25.4	27.4	0.83	1.25
32x1.2	31.8	34.1	1.05	1.72
40x1.2	38.1	40.6	1.27	2.27
45x1.2	44.5		1.48	2.87
50x1.2	51.2	53.3	1.7	3.57
65x1.2	63.5	65.0	2.14	5.07
80x1.6	76.2	79.4	3.42	7.60
90x1.6	88.9	92.5	4.00	9.76
100x1.6	101.6	105.6	4.58	12.18
125x1.6	127.0	130.2	5.74	17.77
150x2.0	152.4	158.0	8.58	25.86
175x2.0	177.8		10.03	33.74
200x2.0	203.2		11.48	42.63
225x2.6	228.6		16.77	55.94

Pressure Pipe - ANSI Sch 80 – API XS (up to 200NS)

Nominal Pipe Diameter (mm):	Actual Outside Dia. (mm):	Wall Thickness (mm):	Mass (kg/m):	Mass of tube filled with water (kg/m):
8	13.7	3.02	0.80	0.85
10	17.1	3.20	1.10	1.19
15	21.3	3.73	1.62	1.77
20	26.7	3.941	2.19	2.47
25	33.4	4.55	3.23	3.69
32	42.2	4.85	4.47	5.30
40	48.3	5.08	5.41	6.55
50	60.3	5.54	7.48	9.38
65	73.0	7.01	11.41	14.14
80	88.9	7.62	15.27	19.53
90	101.6	8.08	18.63	24.36
100	114.3	8.56	22.37	29.73
125	141.3	9.53	30.95	42.69
150	168.3	10.97	42.56	59.38
200	219.1	12.70	64.63	94.10
250	273.0	12.70	81.54	129.70
300	323.9	12.70	97.44	167.40
350	355.6	12.70	107.38	193.00
400	406.4	12.70	123.29	234.30
450	457.0	12.70	139.19	285.50
500	508.0	12.70	155.10	337.00
600	609.6	12.70	186.92	455.00

Pressure Pipe - API Std Wt – ANSI Sch 40 (up to 250 NZ)

Nominal Pipe Diameter (mm):	Actual Outside Dia. (mm):	Wall Thickness (mm):	Mass (kg/m):	Mass of tube filled with water (kg/m):
8	13.7	2.24	0.62	0.69
10	17.1	2.31	0.85	0.97
15	21.3	2.77	1.27	1.47
20	26.7	2.87	1.68	2.11
25	33.4	3.38	2.50	3.06
32	42.2	3.56	3.38	4.35
40	48.3	3.68	4.05	5.37
50	60.3	3.91	5.44	7.60
65	73.0	5.16	8.62	11.71
80	88.9	5.49	11.29	16.06
90	101.6	5.74	13.57	19.95
100	114.3	6.02	16.07	24.28
125	141.3	6.55	21.78	34.69
150	168.3	7.11	28.26	46.91
200	219.1	8.18	42.53	74.81
250	273.0	9.27	60.29	111.14
300	323.9	9.53	73.82	146.81
350	355.6	9.53	81.28	170.23
400	406.4	9.53	93.21	211.05
450	457.0	9.53	105.14	255.75
500	508.0	9.53	117.07	304.85
600	609.6	9.53	140.94	414.85

Galvanised Pipe

Nominal Pipe Diameter (mm):	Actual Outside Dia. (mm):	Wall Thickness (mm):	Mass (kg/m):	Mass of tube filled with water (kg/m):
8 N.B Med	13.5	2.3	0.68	0.74
10 N.B Med	17.2	2.3	0.89	1.01
15 N.B Med	21.3	2.6	1.27	1.47
20 N.B Med	26.9	2.6	1.65	2.02
25 N.B Med	33.7	3.2	2.52	3.11
32 N.B Med	42.4	3.2	3.24	4.26
40 N.B Med	48.3	3.2	3.73	5.11
50 N.B Med	60.3	3.6	5.24	7.46
65 N.B Med	76.1	3.6	6.69	10.42
80 N.B Med	88.9	4.0	8.68	13.82
100 N.B Med	114.3	4.5	12.40	21.11
125 N.B Med	139.7	4.9	16.50	29.75
150 N.B Med	165.1	4.9	19.60	38.55

Pipe & Tube Data

PVC Pressure Pipe - Class 15

Nominal Pipe Diameter (mm):	Actual Outside Dia. (mm):	Wall Thickness (mm):	Mass (kg/m):	Mass of tube filled with water (kg/m):
15	21.3	1.5	0.14	0.40
20	26.7	1.9	0.22	0.61
25	33.5	2.3	0.33	0.99
32	42.2	2.9	0.54	1.58
40	48.2	3.3	0.69	2.05
50	60.3	4.1	1.07	3.20
65	75.3	5.1	1.66	5.00
80	88.9	6.1	2.31	6.93
100	114.3	7.7	3.83	11.51
125	140.2	9.4	5.76	17.34
150	168.2	11.3	8.28	24.93
200	219.1	14.8	14.12	42.32

PVC Pressure Pipe - Class 6

Nominal Pipe Diameter (mm):	Actual Outside Dia. (mm):	Wall Thickness (mm):	Mass (kg/m):	Mass of tube filled with water (kg/m):
40	48.2	1.5	0.31	1.91
50	60.3	1.5	0.31	1.91
65	75.3	2.2	0.75	4.70
80	88.9	2.6	1.03	6.53
100	114.3	3.2	1.70	10.84
125	140.2	4.0	2.55	16.28
150	168.2	4.8	3.65	23.41
200	219.1	6.2	6.19	39.75

Cast Iron Pipe - Class K9

Nominal Pipe Diameter (mm):	Actual Outside Dia. (mm):	Wall Thickness (mm):	Mass (kg/m):	Mass of tube filled with water (kg/m):	Concrete Lining Thickness (mm):	Mass of Lined Pipe (kg/m):	Mass of lined pipe filled with water (kg/m):
80	95.5	6.0	12.36	17.84	6.0	15.64	19.66
100	121.9	6.1	16.55	26.00	6.0	21.096	28.59
150	177.3	6.3	25.09	46.39	6.0	31.82	50.13
200	232.2	6.4	34.18	71.89	8.0	46.18	78.67
225	259.1	6.6	39.45	86.94	8.0	52.91	94.42
250	286.0	6.8	44.73	103.00	8.0	60.00	111.63
300	345.4	7.2	57.09	143.24	10.0	81.45	157.42
375	426.2	7.9	79.27	211.55	10.0	109.45	229.15
400	507.8	8.6	107.82	290.24	10.0	138.73	312.08
500	560.3	9.0	117.82	347.95	10.0	158.91	373.16

