

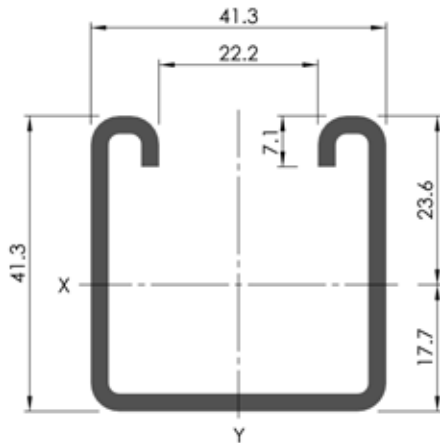
Roll-Formed Channels

CH
1



EM1000 Metal Framing Roll-Formed Channels

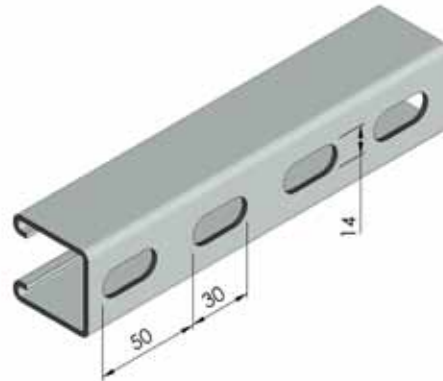
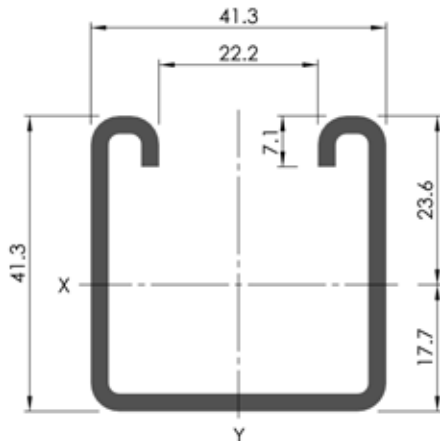
EM1000



EM1000

Weight: 2.59kg/m
Thickness: 2.5mm
Material: 250MPa (minimum yield stress) mild steel
Finishes: Plain, Pre-Galvanised, Hot Dipped Galvanised, Electro Powder Coated, 316 GR Stainless Steel (other finishes available on request)

EM1000T

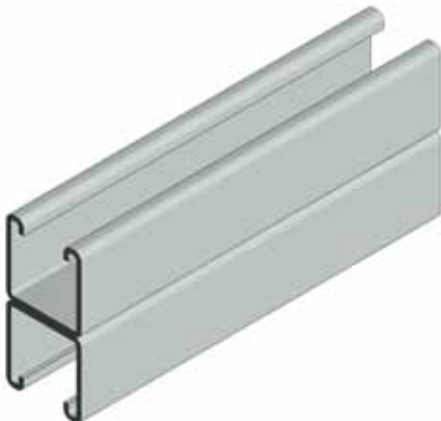


EM1000T

Weight: 2.32kg/m
Thickness: 2.5mm
Material: 250MPa (minimum yield stress) mild steel
Finishes: Plain, Pre-Galvanised, Hot Dipped Galvanised, Electro Powder Coated, 316 GR Stainless Steel (other finishes available on request)

EM1000 Metal Framing Roll-Formed Channel Combinations

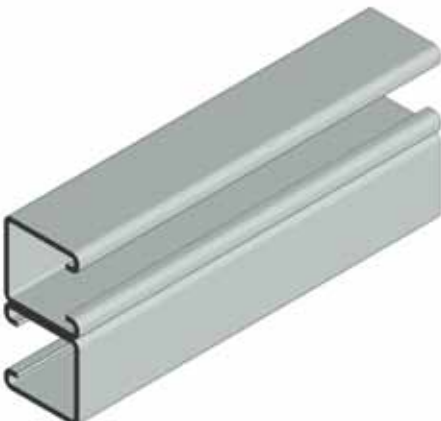
EM1001
Mass 5.18kg/m



EM1001A
Mass 5.18kg/m



EM1001B
Mass 5.18kg/m

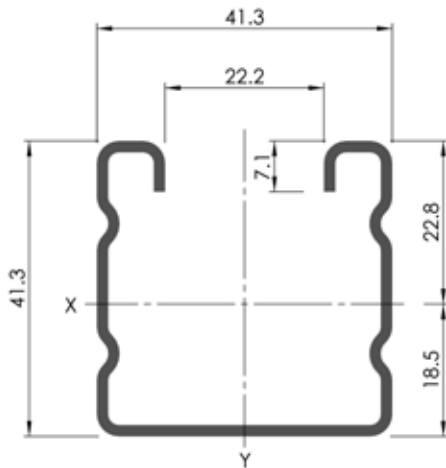


EM1001C
Mass 5.18kg/m



EM2000 Metal Framing Roll-Formed Channels

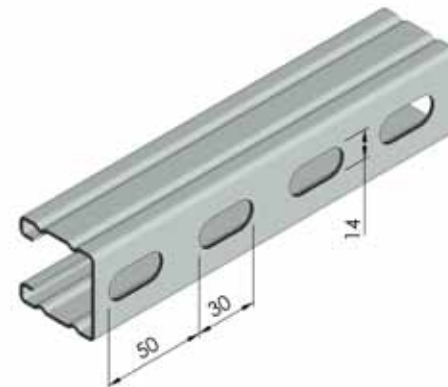
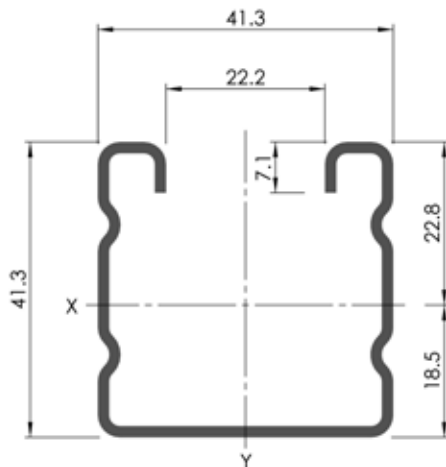
EM2000



EM2000

Weight: 1.79kg/m
Thickness: 1.6mm
Material: 250MPa (minimum yield stress) mild steel
Finishes: Plain, Pre-Galvanised, Hot Dipped Galvanised, Electro Powder Coated, 316 GR Stainless Steel (other finishes available on request)

EM2000T

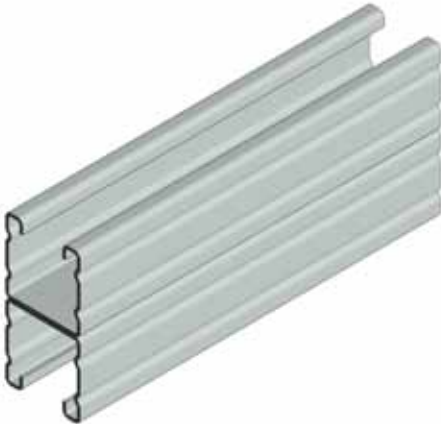


EM2000T

Weight: 1.62kg/m
Thickness: 1.6mm
Material: 250MPa (minimum yield stress) mild steel
Finishes: Plain, Pre-Galvanised, Hot Dipped Galvanised, Electro Powder Coated, 316 GR Stainless Steel (other finishes available on request)

EM2000 Metal Framing Roll-Formed Channel Combinations

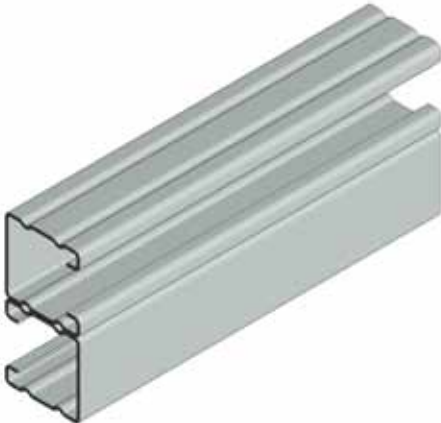
EM2001
Mass 3.58kg/m



EM2001A
Mass 3.58kg/m



EM2001B
Mass 3.58kg/m

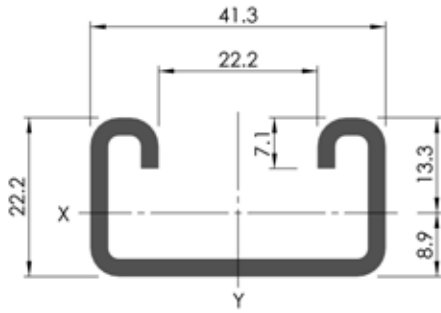


EM2001C
Mass 3.58kg/m



EM3000 Metal Framing Roll-Formed Channels

EM3000



EM3000

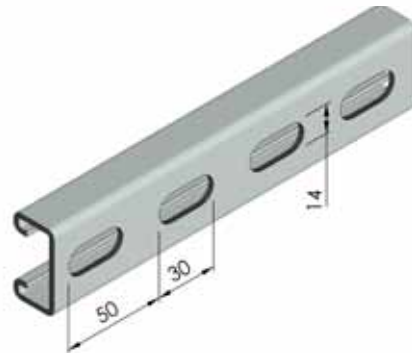
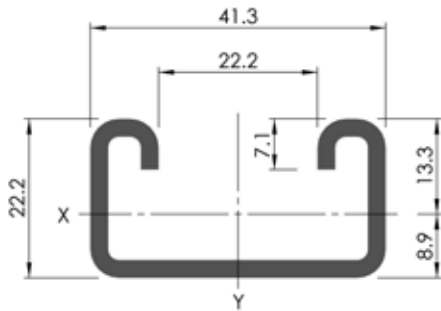
Weight: 1.83kg/m

Thickness: 2.5mm

Material: 250MPa (minimum yield stress) mild steel

Finishes: Plain, Pre-Galvanised, Hot Dipped Galvanised, Electro Powder Coated, 316 GR Stainless Steel (other finishes available on request)

EM3000T



EM3000T

Weight: 1.55kg/m

Thickness: 2.5mm

Material: 250MPa (minimum yield stress) mild steel

Finishes: Plain, Pre-Galvanised, Hot Dipped Galvanised, Electro Powder Coated, 316 GR Stainless Steel (other finishes available on request)

EM3000 Metal Framing Roll-Formed Channel Combinations

EM3001
Mass 3.66kg/m



EM3001A
Mass 3.66kg/m

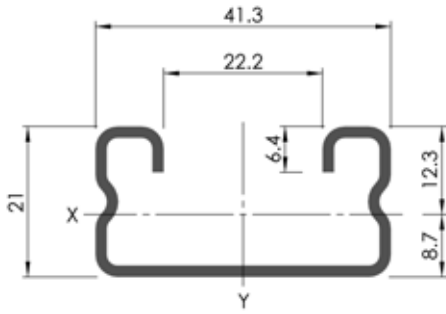


EM3001B
Mass 3.66kg/m



EM4000 Metal Framing Roll-Formed Channels

EM4000



EM4000

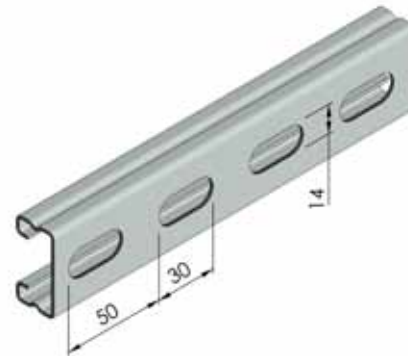
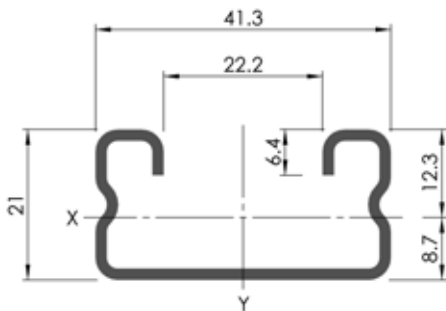
Weight: 1.27kg/m

Thickness: 1.6mm

Material: 250MPa (minimum yield stress) mild steel

Finishes: Plain, Pre-Galvanised, Hot Dipped Galvanised, Electro Powder Coated, 316 GR Stainless Steel (other finishes available on request)

EM4000T



EM4000T

Weight: 1.24kg/m

Thickness: 1.6mm

Material: 250MPa (minimum yield stress) mild steel

Finishes: Plain, Pre-Galvanised, Hot Dipped Galvanised, Electro Powder Coated, 316 GR Stainless Steel (other finishes available on request)

EM4000 Metal Framing Roll-Formed Channel Combinations

EM4001
Mass 2.54kg/m

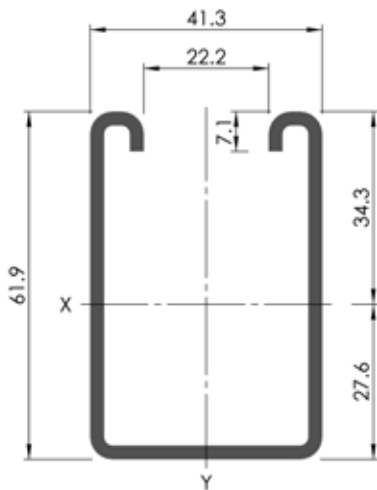


CH
10

*More Metal Framing Channel sections available on request.
All products manufactured in accordance with ISO9001 Standard*

EM5000 Metal Framing Roll-Formed Channels

EM5000



EM5000

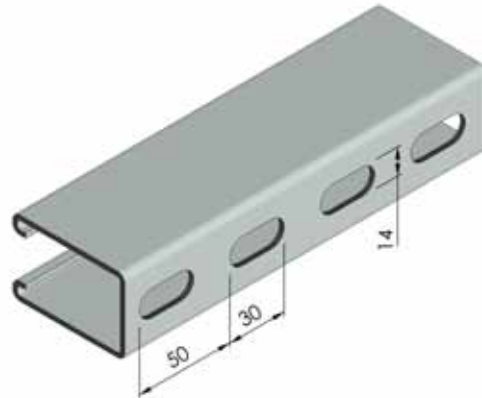
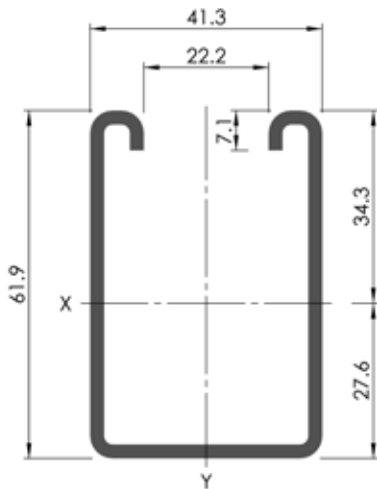
Weight: 3.41kg/m

Thickness: 2.5mm

Material: 250MPa (minimum yield stress) mild steel

Finishes: Plain, Pre-Galvanised, Hot Dipped Galvanised, Electro Powder Coated, 316 GR Stainless Steel (other finishes available on request)

EM5000T



EM5000T

Weight: 3.12kg/m

Thickness: 2.5mm

Material: 250MPa (minimum yield stress) mild steel

Finishes: Plain, Pre-Galvanised, Hot Dipped Galvanised, Electro Powder Coated, 316 GR Stainless Steel (other finishes available on request)

EM5000 Metal Framing Roll-Formed Channel Combinations

EM5001
Mass 6.82kg/m



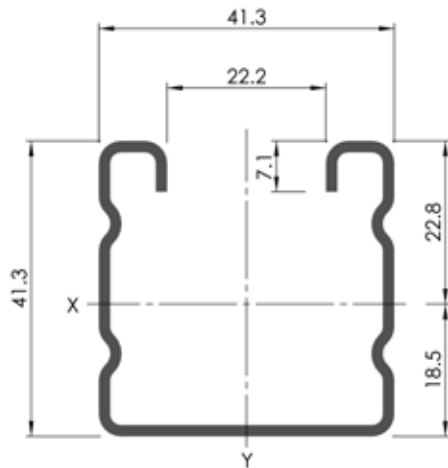
EM5001A
Mass 6.82kg/m



EM5001B
Mass 6.82kg/m



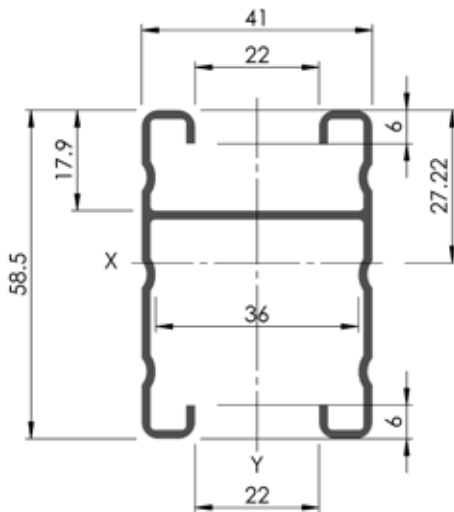
EM2000 AL



EM2000 AL

Weight: 0.63kg/m
 Thickness: 1.6mm
 Material: 6060/T6 Aluminium
 Finish: Mill Finish

EM2000/4000 AL Back to Back Lighting Extrusion

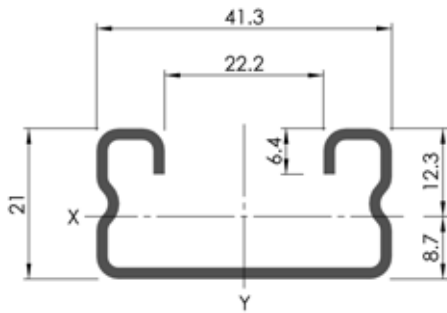


EM2000/4000 AL

Weight: 0.86kg/m
 Thickness: 1.6mm
 Material: 6060/T6 Aluminium
 Finish: Mill Finish

EM4000 AL Extruded Aluminium Channels

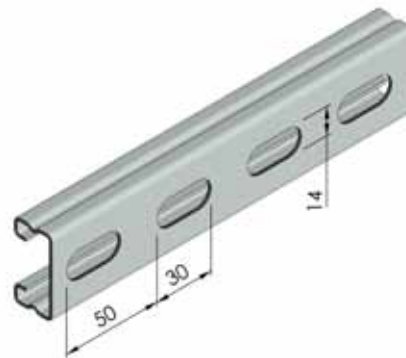
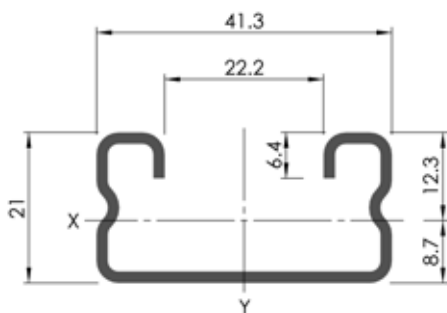
EM4000 AL



EM4000 AL

Weight: 0.44kg/m
Thickness: 1.6mm
Material: 6060/T6 Aluminium
Finish: Mill Finish

EM4000T AL



EM4000T AL

Weight: 0.41kg/m
Thickness: 1.6mm
Material: 6060/T6 Aluminium
Finish: Mill Finish