

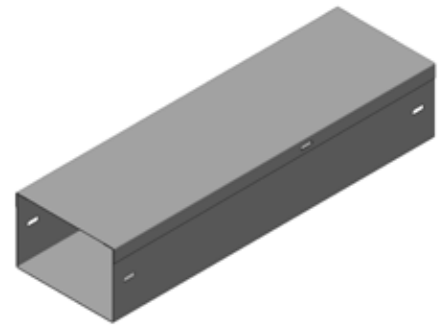
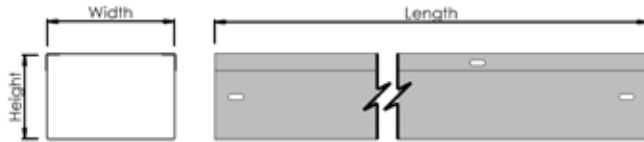
# Cable Trunking

TR  
1

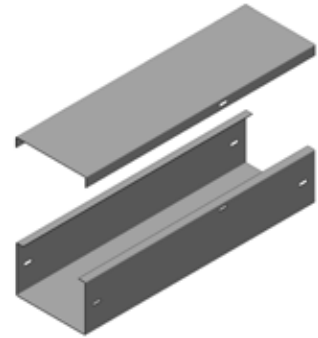




## Trunking Body and Lid

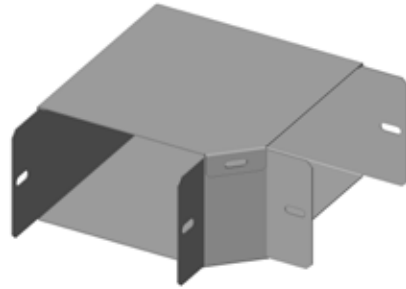
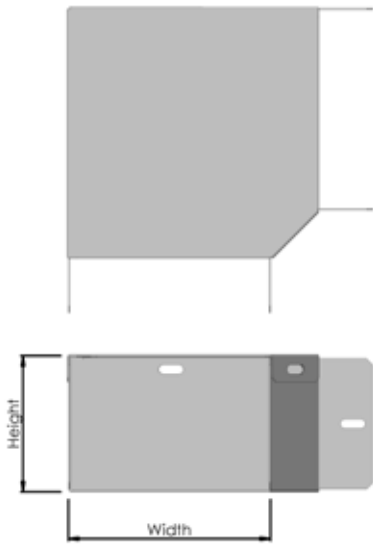


Width: (mm)	Height: (mm)	Length: (m)	Part Number:
50	50	3.0	EM/STR 50X50 PG
75	50	3.0	EM/STR 75X50 PG
75	75	3.0	EM/STR 75X75 PG
100	50	3.0	EM/STR 100X50 PG
100	75	3.0	EM/STR 100X75 PG
100	100	3.0	EM/STR 100X100 PG
150	50	3.0	EM/STR 150X50 PG
150	75	3.0	EM/STR 150X75 PG
150	100	3.0	EM/STR 150X100 PG
150	150	3.0	EM/STR 150X150 PG



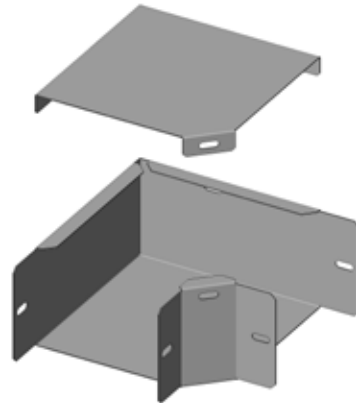
# Cable Trunking

## Horizontal Bend - Lid On Top

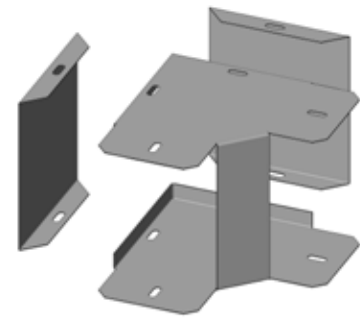
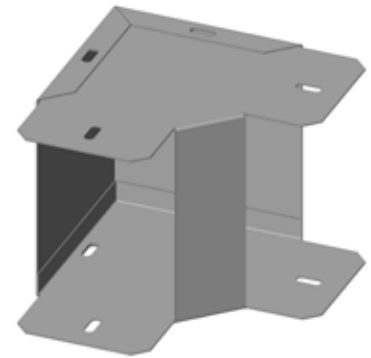
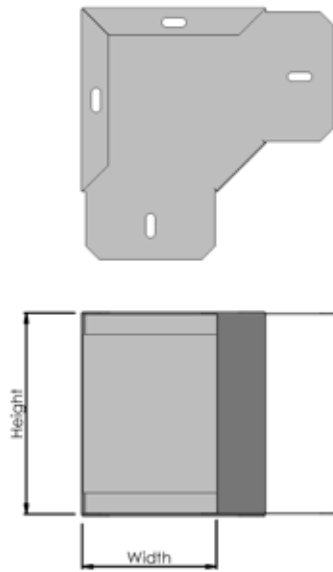


**Width:**  
(mm)      **Height:**  
(mm)      **Part Number:**

50	50	EM/STR/HB 50X50 PG
75	50	EM/STR/HB 75X50 PG
75	75	EM/STR/HB 75X75 PG
100	50	EM/STR/HB 100X50 PG
100	75	EM/STR/HB 100X75 PG
100	100	EM/STR/HB 100X100 PG
150	50	EM/STR/HB 150X50 PG
150	75	EM/STR/HB 150X75 PG
150	100	EM/STR/HB 150X100 PG
150	150	EM/STR/HB 150X150 PG

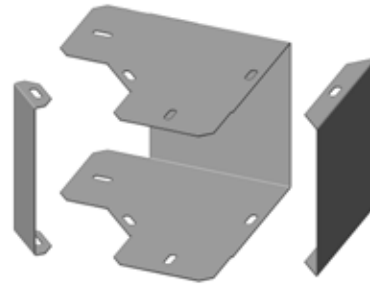
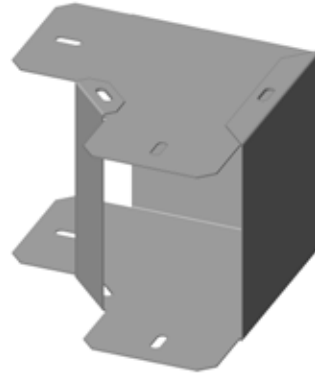
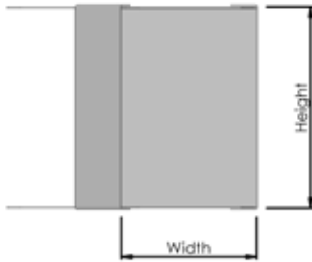
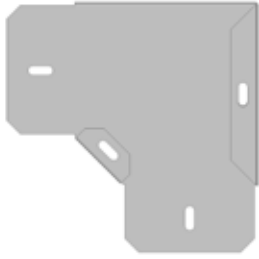


## Horizontal Bend - Lid On Outside



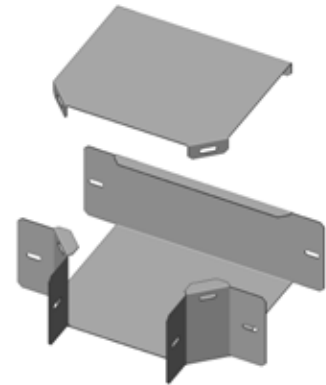
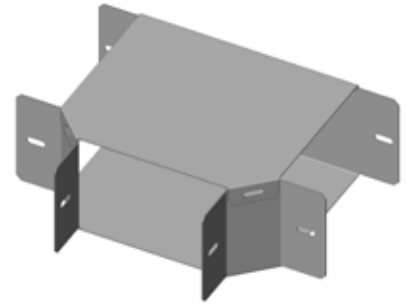
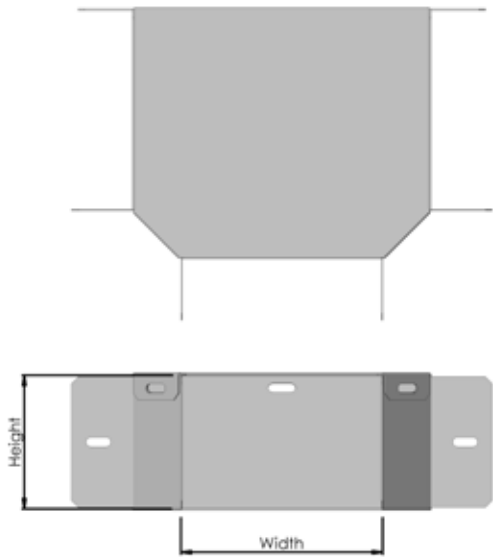
Width: (mm)	Height: (mm)	Part Number:
50	50	EM/STR/HBLO 50X50 PG
75	50	EM/STR/HBLO 75X50 PG
75	75	EM/STR/HBLO 75X75 PG
100	50	EM/STR/HBLO 100X50 PG
100	75	EM/STR/HBLO 100X75 PG
100	100	EM/STR/HBLO 100X100 PG
150	50	EM/STR/HBLO 150X50 PG
150	75	EM/STR/HBLO 150X75 PG
150	100	EM/STR/HBLO 150X100 PG
150	150	EM/STR/HBLO 150X150 PG

## Horizontal Bend - Lid On Inside



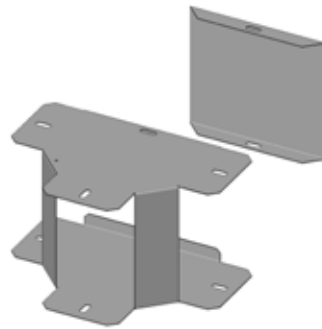
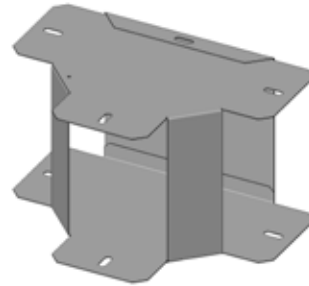
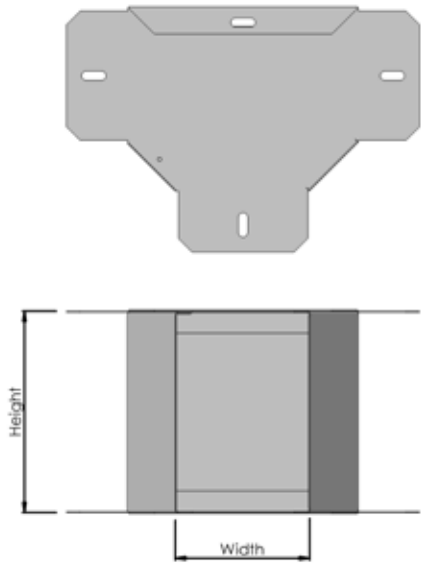
Width: (mm)	Height: (mm)	Part Number:
50	50	EM/STR/HBLI 50X50 PG
75	50	EM/STR/HBLI 75X50 PG
75	75	EM/STR/HBLI 75X75 PG
100	50	EM/STR/HBLI 100X50 PG
100	75	EM/STR/HBLI 100X75 PG
100	100	EM/STR/HBLI 100X100 PG
150	50	EM/STR/HBLI 150X50 PG
150	75	EM/STR/HBLI 150X75 PG
150	100	EM/STR/HBLI 150X100 PG
150	150	EM/STR/HBLI 150X150 PG

## Horizontal T-Section - Lid On Top



Width: (mm)	Height: (mm)	Part Number:
50	50	EM/STR/HT 50X50 PG
75	50	EM/STR/HT 75X50 PG
75	75	EM/STR/HT 75X75 PG
100	50	EM/STR/HT 100X50 PG
100	75	EM/STR/HT 100X75 PG
100	100	EM/STR/HT 100X100 PG
150	50	EM/STR/HT 150X50 PG
150	75	EM/STR/HT 150X75 PG
150	100	EM/STR/HT 150X100 PG
150	150	EM/STR/HT 150X150 PG

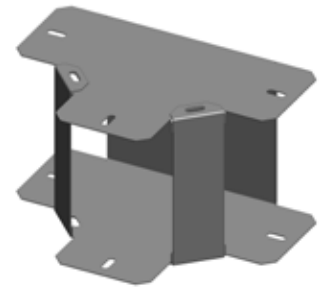
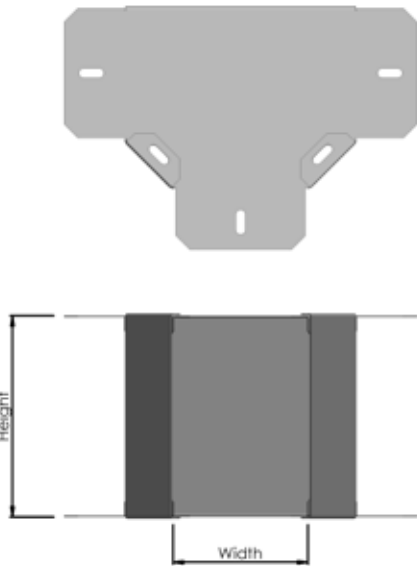
## Horizontal T-Section - Lid On Outside



Width: (mm)	Height: (mm)	Part Number:
50	50	EM/STR/HTLO 50X50 PG
75	50	EM/STR/HTLO 75X50 PG
75	75	EM/STR/HTLO 75X75 PG
100	50	EM/STR/HTLO 100X50 PG
100	75	EM/STR/HTLO 100X75 PG
100	100	EM/STR/HTLO 100X100 PG
150	50	EM/STR/HTLO 150X50 PG
150	75	EM/STR/HTLO 150X75 PG
150	100	EM/STR/HTLO 150X100 PG
150	150	EM/STR/HTLO 150X150 PG

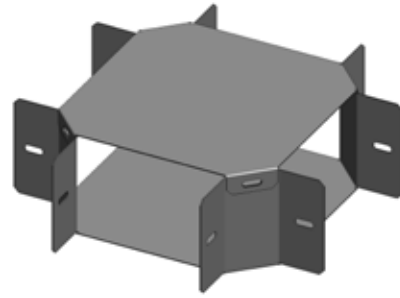
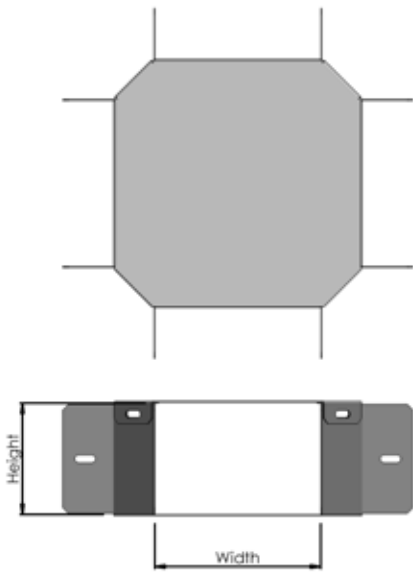


## Horizontal T-Section - Lid On Inside

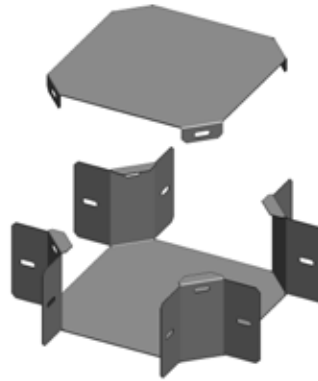


Width: (mm)	Height: (mm)	Part Number:
50	50	EM/STR/HTLI 50X50 PG
75	50	EM/STR/HTLI 75X50 PG
75	75	EM/STR/HTLI 75X75 PG
100	50	EM/STR/HTLI 100X50 PG
100	75	EM/STR/HTLI 100X75 PG
100	100	EM/STR/HTLI 100X100 PG
150	50	EM/STR/HTLI 150X50 PG
150	75	EM/STR/HTLI 150X75 PG
150	100	EM/STR/HTLI 150X100 PG
150	150	EM/STR/HTLI 150X150 PG

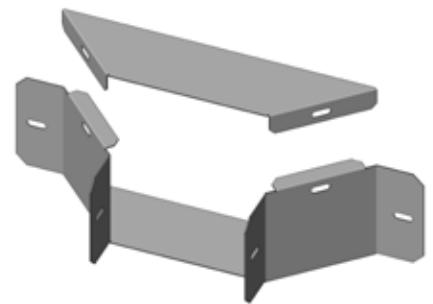
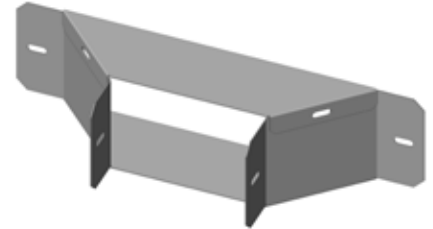
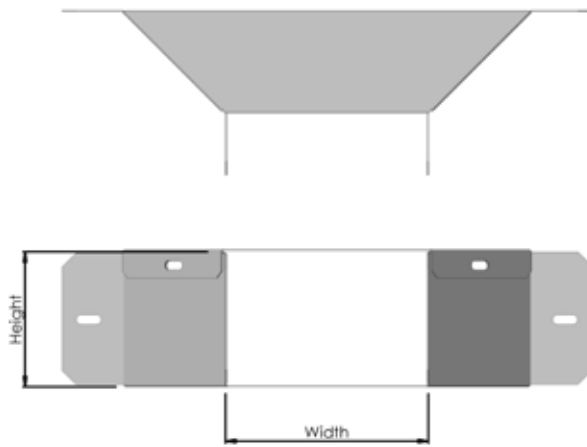
## 4-Way Cross Section



Width: (mm)	Height: (mm)	Part Number:
50	50	EM/STR/CROSS 50X50 PG
75	50	EM/STR/CROSS 75X50 PG
75	75	EM/STR/CROSS 75X75 PG
100	50	EM/STR/CROSS 100X50 PG
100	75	EM/STR/CROSS 100X75 PG
100	100	EM/STR/CROSS 100X100 PG
150	50	EM/STR/CROSS 150X50 PG
150	75	EM/STR/CROSS 150X75 PG
150	100	EM/STR/CROSS 150X100 PG
150	150	EM/STR/CROSS 150X150 PG

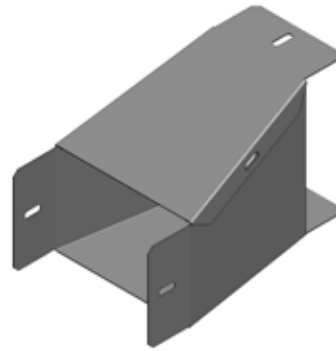
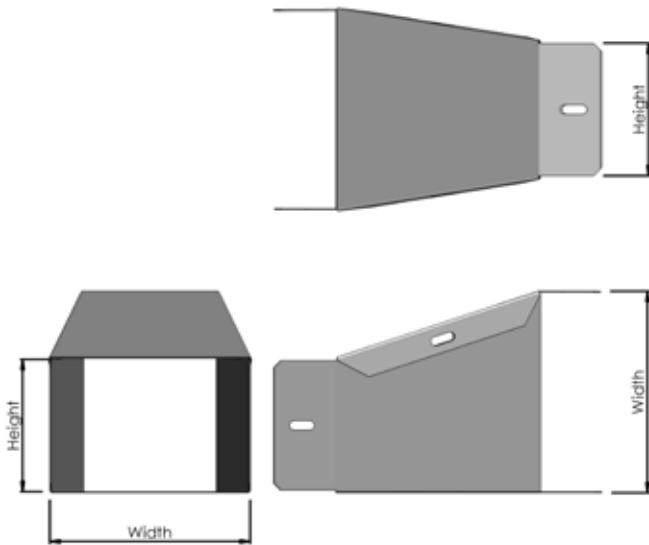


## Flange Adaptor



Width: (mm)	Height: (mm)	Part Number:
50	50	EM/STR/FA 50X50 PG
75	50	EM/STR/FA 75X50 PG
75	75	EM/STR/FA 75X75 PG
100	50	EM/STR/FA 100X50 PG
100	75	EM/STR/FA 100X75 PG
100	100	EM/STR/FA 100X100 PG
150	50	EM/STR/FA 150X50 PG
150	75	EM/STR/FA 150X75 PG
150	100	EM/STR/FA 150X100 PG
150	150	EM/STR/FA 150X150 PG

## Twist Adaptor

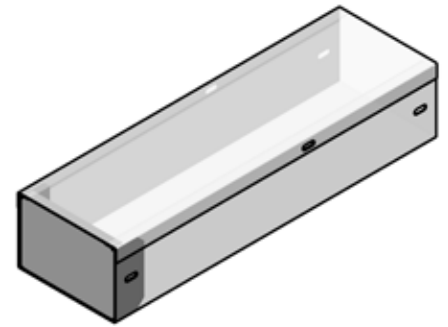
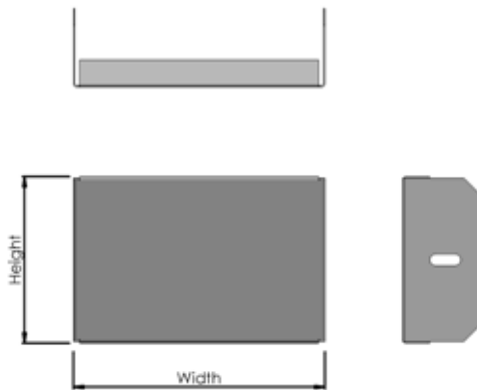


**Width:**  
(mm)      **Height:**  
(mm)      **Part Number:**

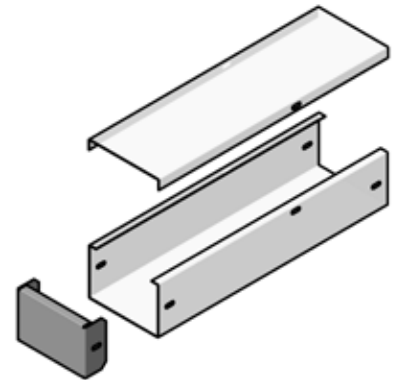
50	50	EM/STR/TA 50X50 PG
75	50	EM/STR/TA 75X50 PG
75	75	EM/STR/TA 75X75 PG
100	50	EM/STR/TA 100X50 PG
100	75	EM/STR/TA 100X75 PG
100	100	EM/STR/TA 100X100 PG
150	50	EM/STR/TA 150X50 PG
150	75	EM/STR/TA 150X75 PG
150	100	EM/STR/TA 150X100 PG
150	150	EM/STR/TA 150X150 PG



## End Cap

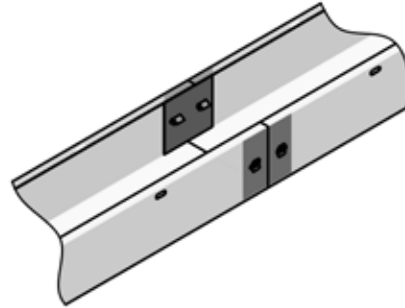
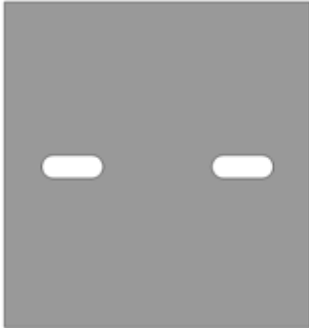


Width: (mm)	Height: (mm)	Part Number:
50	50	EM/STR/EC 50X50 PG
75	50	EM/STR/EC 75X50 PG
75	75	EM/STR/EC 75X75 PG
100	50	EM/STR/EC 100X50 PG
100	75	EM/STR/EC 100X75 PG
100	100	EM/STR/EC 100X100 PG
150	50	EM/STR/EC 150X50 PG
150	75	EM/STR/EC 150X75 PG
150	100	EM/STR/EC 150X100 PG
150	150	EM/STR/EC 150X150 PG



# Cable Trunking

## Joiner



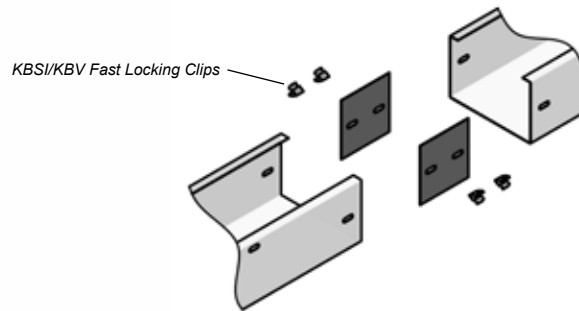
**Height:** (mm)    **Part Number:**

50    EM/STR/SJ 50 PG

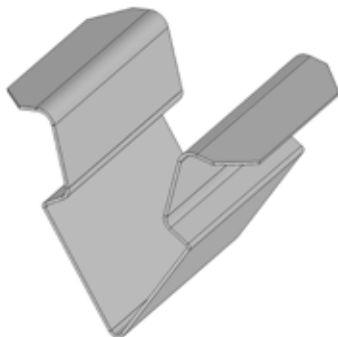
75    EM/STR/SJ 75 PG

100    EM/STR/SJ 100 PG

150    EM/STR/SJ 150 PG



## KBSI/KBV Fast Locking Clip



**VERGOKAN**

**Standard Finish:** Stainless Steel 316

**Part Number:**

KBSI/KBV

TR  
14

All products manufactured in accordance with ISO9001 Standard

© Mechanical Support Systems.

Mechanical Support Systems reserves the right to change designs and specifications without notice.