



# VERGOKAN

Cable Tray and Accessories

# Vergokan

VE  
1





## KBSI 35 Series Cable Tray

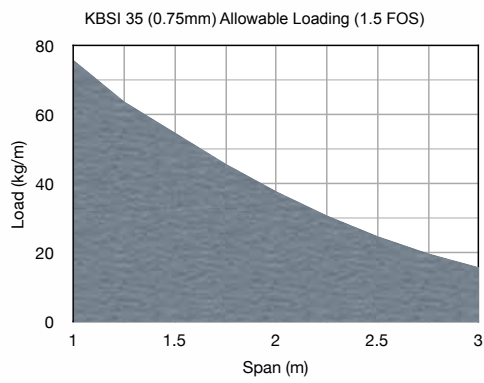
### VERGOKAN

**Standard Finish:** Pre-Galvanised

**Standard Length:** 3.0m

**Thickness:** 0.75mm

Height:	Width:	Part Number:
35	75	KBSI/075 PG
35	100	KBSI/100 PG
35	150	KBSI/150 PG
35	200	KBSI/200 PG
35	300	KBSI/300 PG

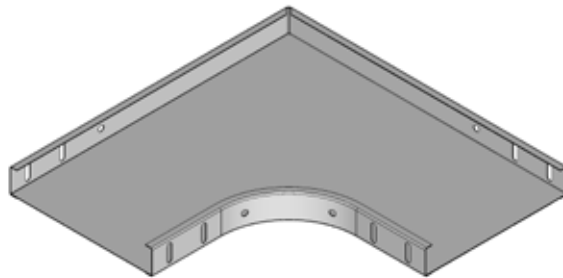
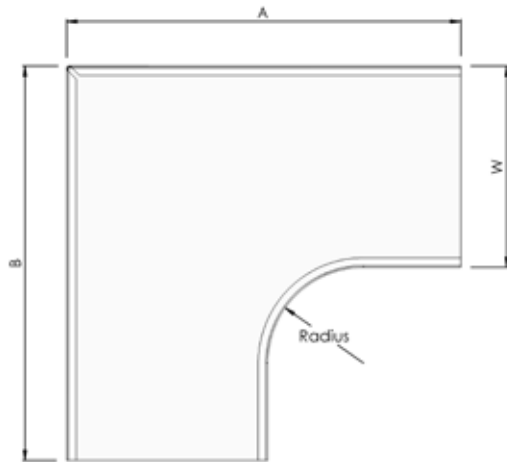


#### Technical Notes:

The perforation scheme differs according to the width.  
The surface of the interlocking end is rounded to protect the cables.  
Round holes of  $\varnothing$  16 mm and  $\varnothing$  19.5 mm provided as opening for the fitting of a gland.

## Vergokan Cable Tray - Accessories

### KBSI/HB90 PG Horizontal 90° Bend

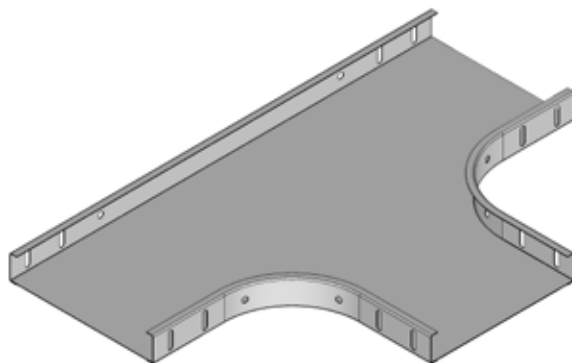
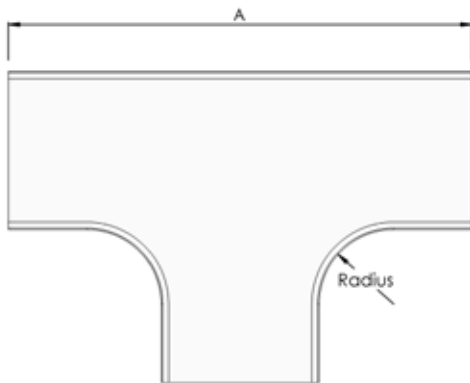


## VERGOKAN

Standard Finish: Pre-Galvanised

Width W:	Length A:	Length B:	Radius:	Part Number:
75	280	280	100	KBSI/HB90/075 PG
100	305	305	100	KBSI/HB90/100 PG
150	355	355	100	KBSI/HB90/150 PG
200	405	405	100	KBSI/HB90/200 PG
300	505	505	100	KBSI/HB90/300 PG

### KBSI/EQTEE PG Equal Tee



## VERGOKAN

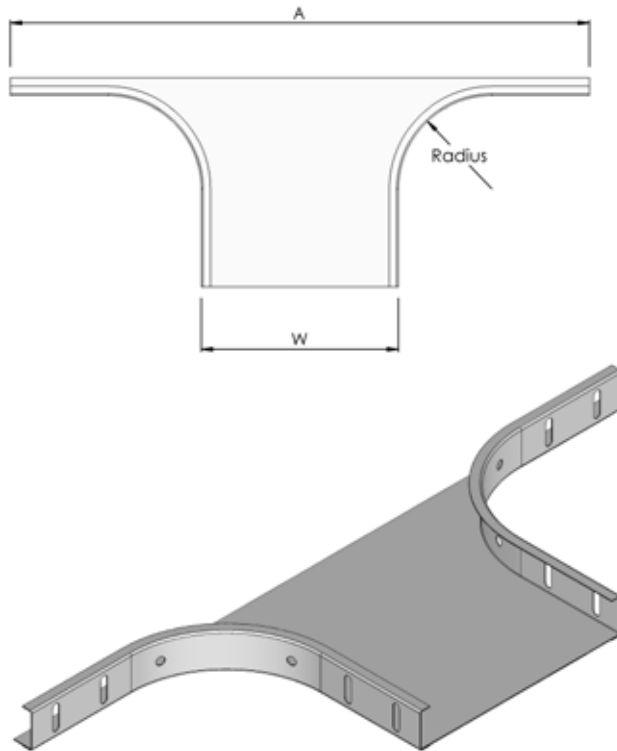
Standard Finish: Pre-Galvanised

Width:	Length A:	Radius:	Part Number:
75	483	100	KBSI/EQTEE/075 PG
100	508	100	KBSI/EQTEE/100 PG
150	558	100	KBSI/EQTEE/150 PG
200	608	100	KBSI/EQTEE/200 PG
300	708	100	KBSI/EQTEE/300 PG

VE  
4

All products manufactured in accordance with ISO9001 Standard

## KBSI/TEECOUP PG Horizontal Tee Coupler



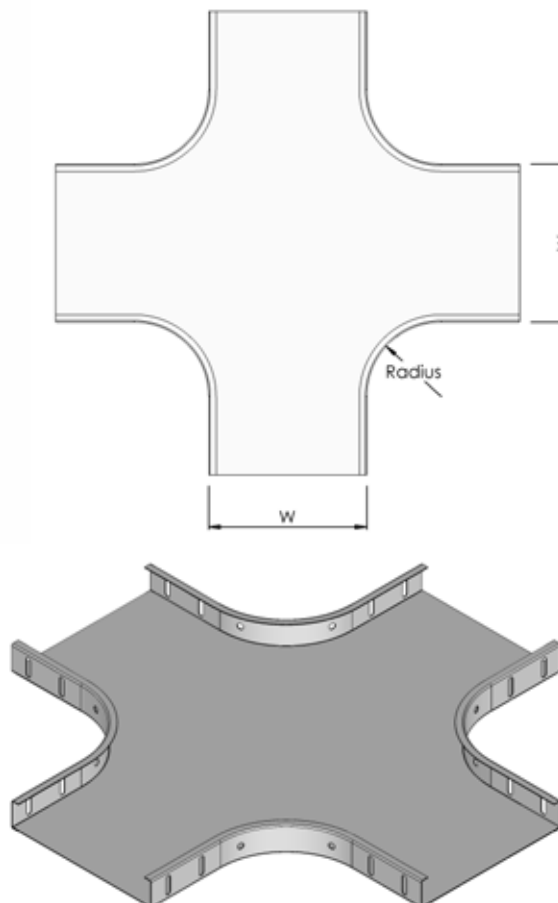
### VERGOKAN

Standard Finish: Pre-Galvanised

Width: Length A: Radius: Part Number:

Width:	Length A:	Radius:	Part Number:
75	483	100	KBSI/TEECOUP/075 PG
100	508	100	KBSI/TEECOUP/100 PG
150	558	100	KBSI/TEECOUP/150 PG
200	608	100	KBSI/TEECOUP/200 PG
300	708	100	KBSI/TEECOUP/300 PG

## KBSI/EQCROSS PG Four Way Cross



### VERGOKAN

Standard Finish: Pre-Galvanised

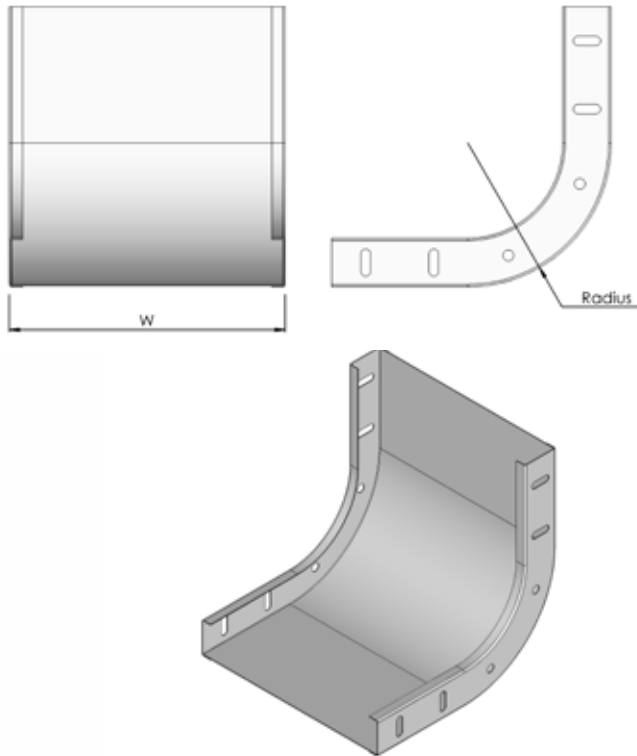
Width: Radius: Part Number:

Width:	Radius:	Part Number:
75	100	KBSI/EQCROSS/075 PG
100	100	KBSI/EQCROSS/100 PG
150	100	KBSI/EQCROSS/150 PG
200	100	KBSI/EQCROSS/200 PG
300	100	KBSI/EQCROSS/300 PG

All products manufactured in accordance with ISO9001 Standard

## Vergokan Cable Tray - Accessories

### KBSI/INTRISER PG Internal Riser



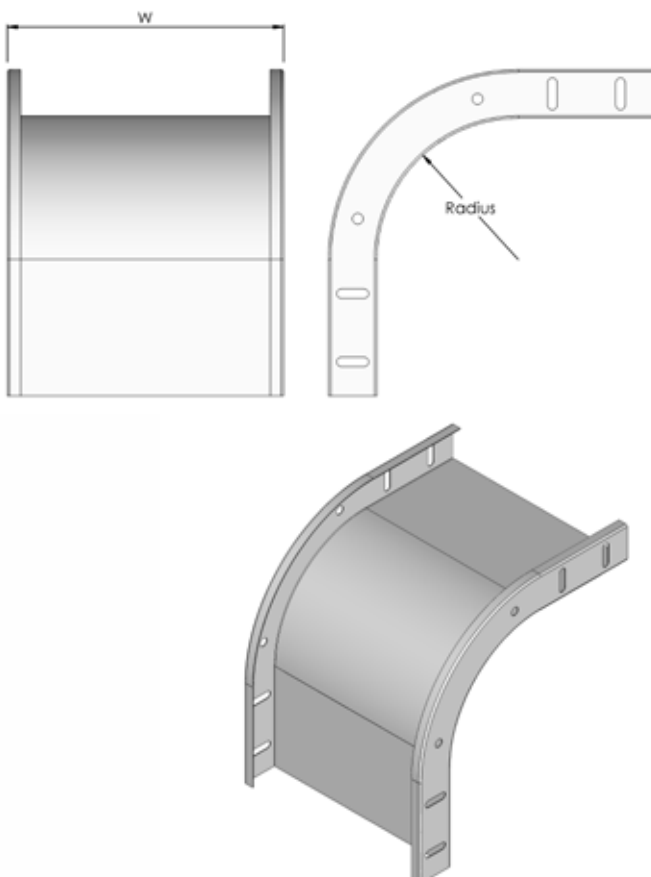
**VERGOKAN**

Standard Finish: Pre-Galvanised

Width: Radius: Part Number:

75	100	KBSI/INTRISER/075 PG
100	100	KBSI/INTRISER/100 PG
150	100	KBSI/INTRISER/150 PG
200	100	KBSI/INTRISER/200 PG
300	100	KBSI/INTRISER/300 PG

### KBSI/EXTRISER PG External Riser



**VERGOKAN**

Standard Finish: Pre-Galvanised

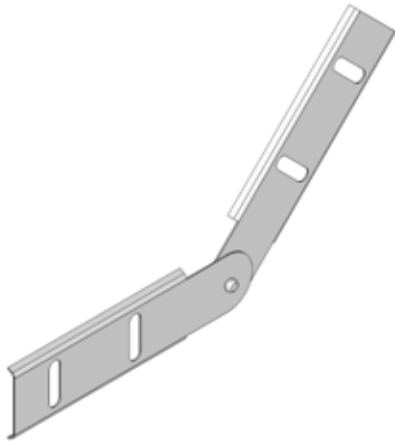
Width: Radius: Part Number:

75	100	KBSI/EXTRISER/075 PG
100	100	KBSI/EXTRISER/100 PG
150	100	KBSI/EXTRISER/150 PG
200	100	KBSI/EXTRISER/200 PG
300	100	KBSI/EXTRISER/300 PG

VE  
6

All products manufactured in accordance with ISO9001 Standard

### KBSI/AVE PG Adjustable Vertical Elbow



**VERGOKAN**

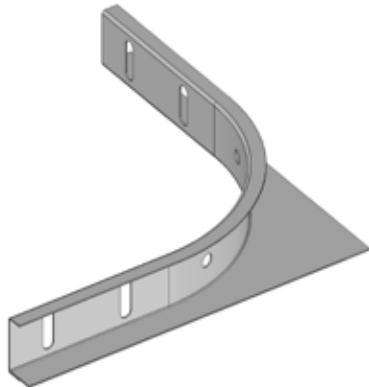
**Standard Finish:** Pre-Galvanised

**Part Number:**

KBSI/AVE PG

(Angular range = +/- 90°)

### KBSI/BENDCOUPLER PG Universal Bend Coupler



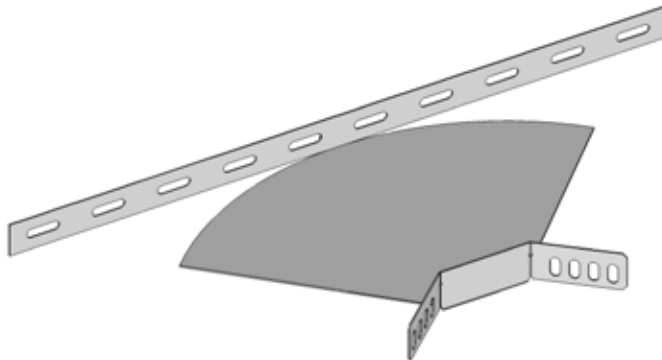
**VERGOKAN**

**Standard Finish:** Pre-Galvanised

**Part Number:**

KBSI/BENDCOUPLER PG

### KBSI/AHB/200 PG Adjustable Horizontal Bend 90-180°



**VERGOKAN**

**Standard Finish:** Pre-Galvanised

**Width: Part Number:**

75 KBSI/AHB/75 PG

100 KBSI/AHB/100 PG

150 KBSI/AHB/150 PG

200 KBSI/AHB/200 PG

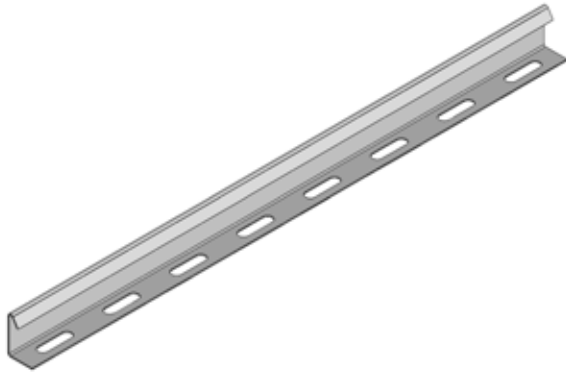
300 KBSI/AHB/300 PG

All products manufactured in accordance with ISO9001 Standard

salesinfo@mechanicalsupport.co.nz PO Box 204336 Highbrook Auckland www.mechanicalsupport.co.nz

## Vergokan Cable Tray - Accessories

### KBSI/DIVIDER PG Universal Divider Strip



**VERGOKAN**

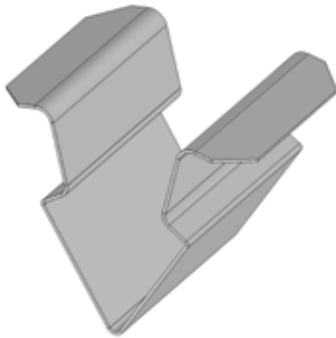
Standard Finish: Pre-Galvanised

Part Number:

KBSI/DIVIDER PG

Supplied in 3m lengths

### KBSI/KBV Fast Locking Clip



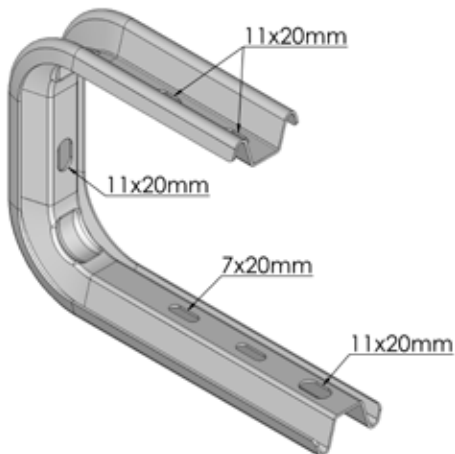
**VERGOKAN**

Standard Finish: Stainless Steel 316

Part Number:

KBSI/KBV

### KBSI/THB PG Single Hanger Bracket



**VERGOKAN**

Standard Finish: Pre-Galvanised

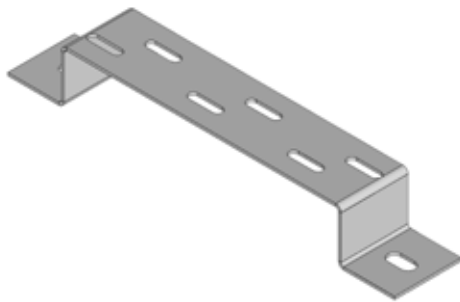
Width:	Part Number:	Suits Cable Tray Width:
150	KBSI/THB/150 PG	75, 100 & 150mm
200	KBSI/THB/200 PG	200mm
300	KBSI/THB/300 PG	300mm

VE  
8

All products manufactured in accordance with ISO9001 Standard



## KBSI/FS PG Wall and Floor Stand



### VERGOKAN

Standard Finish: Pre-Galvanised

Maximum Load: 200 kg

Width: Part Number:

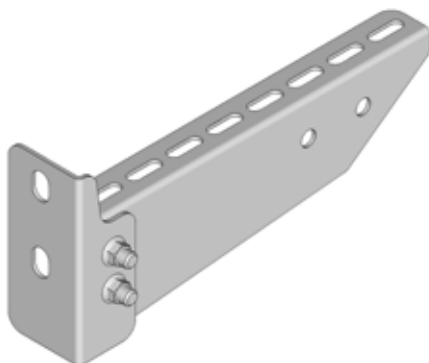
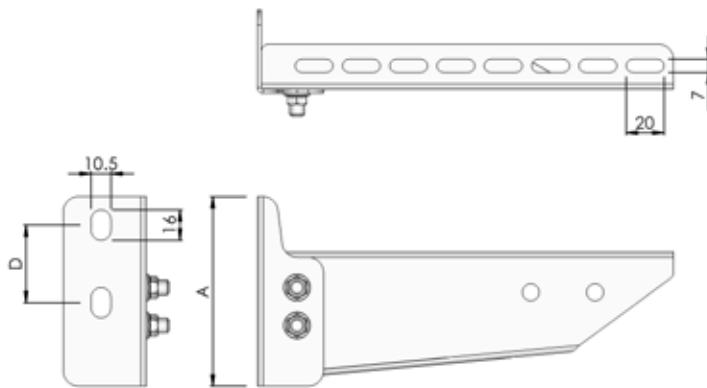
75 or 100 KBSI/FS100 PG

150 KBSI/FS150 PG

200 KBSI/FS200 PG

300 KBSI/FS300 PG

## KBSI/WHB PG Wall Mounted Hanger Bracket



### VERGOKAN

Standard Finish: Pre-Galvanised

Width: Height A: Distance D: Maximum Load (kg): Part Number:

75 or 100 99 40 110 KBSI/WHB100 PG

150 99 40 110 KBSI/WHB150 PG

200 99 40 120 KBSI/WHB200 PG

300 119 60 130 KBSI/WHB300 PG

# Vergokan Cable Tray - Accessories

CLB Clip Lock Bracket System - Fast, Easy, Efficient.

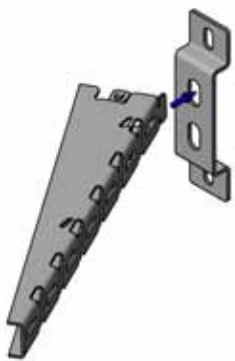
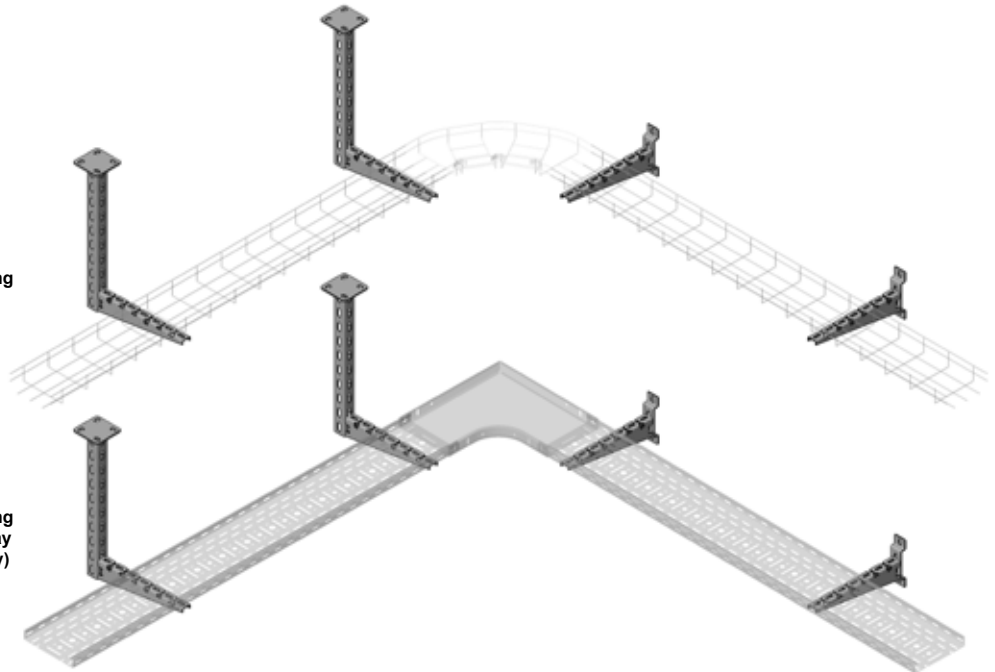
## VERGOKAN

### CLB System Advantages:

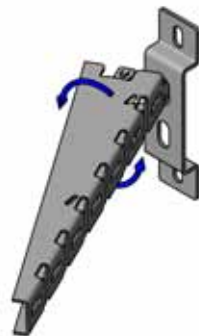
- Labour saving - no nuts, bolts or cutting required, simply click to lock in place
- No need for trapeze supports of multiple tiers
- All applications are side loading for cable pulling
- Seismically compliant in many applications (depending on loads and span between supports)
- Galvanised finish suited for most internal and external applications
- VF/VK Cable Baskets simply lock into place without the need for fasteners
- Also compatible with Vergokan Cable Tray and EMT3 Cable Tray

Example application using  
VF/VK Cable Mesh

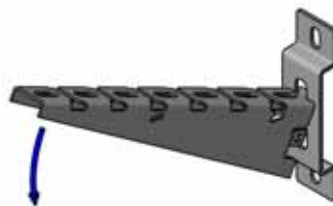
Example application using  
Vergokan KBSI Cable Tray  
(or MSS EMT3 Cable Tray)



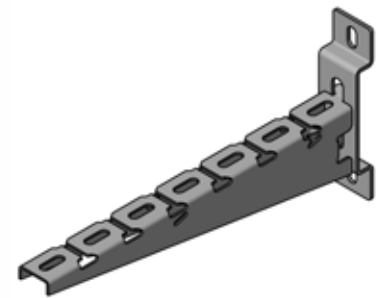
1. Insert Clip In Bracket tab into slot.



2. Rotate 90°



3. Press down until it clicks into place.

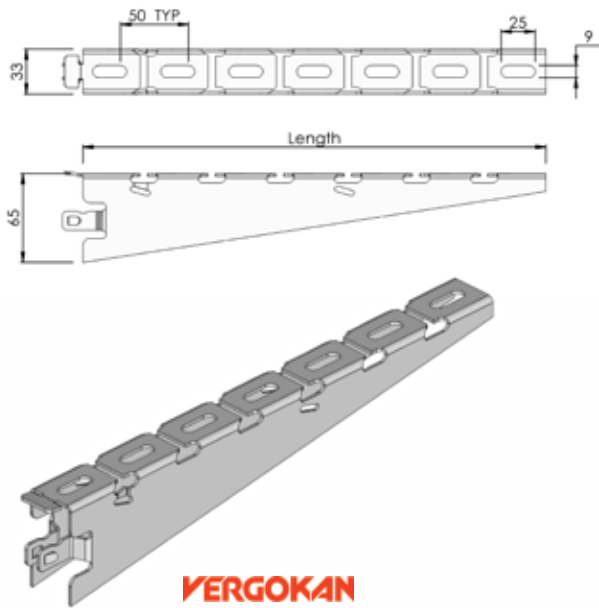


Within seconds, the Clip In Bracket is now ready to accept cable tray or cable mesh.

VE  
10

All products manufactured in accordance with ISO9001 Standard

## KBSI/CLB Clip In Bracket



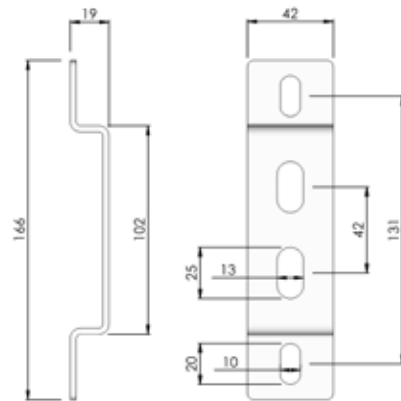
**VERGOKAN**

Finish: Hot Dip Galvanised or Pre-Galvanised

To Suit Tray "Length": Part Number:  
Width:

150	190	KBSI/CLB150
200	240	KBSI/CLB200
300	340	KBSI/CLB300
400	440	KBSI/CLB400
500	540	KBSI/CLB500

## KBSI/CLB Bracket Rear Plate

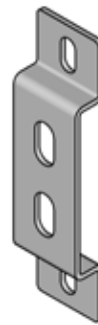


**VERGOKAN**

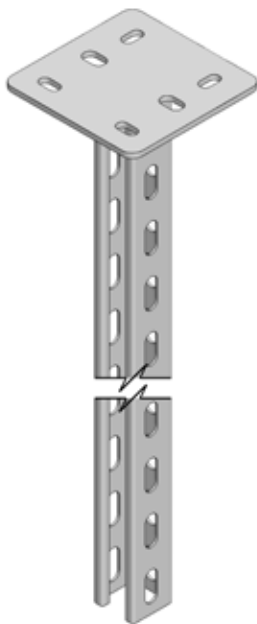
Finish: Hot Dip Galvanised or Pre-Galvanised

Part Number:

KBSI/CLB BRACKET REAR PLATE



## KBSI/SMB3/1000 Slotted 3-Way Channel Hanger

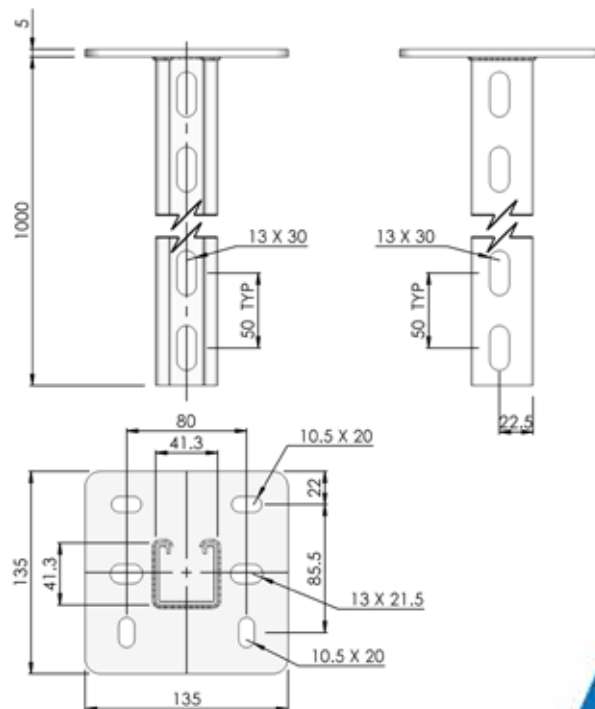


**VERGOKAN**

Finish: Hot Dip Galvanised or Pre-Galvanised

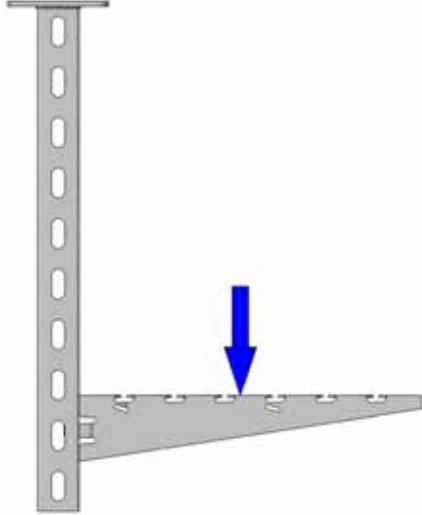
Part Number:

KBSI/SMB3/1000



### VERGOKAN

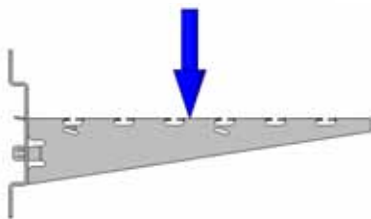
Load Capacity\* of KBSI/CLB HDG Clip In Bracket + KBSI/CLB Bracket Rear Plate:



KBSI/CLB Size:	Load Capacity (kg):
190	190
240	120
340	85
440	60
540	40

### VERGOKAN

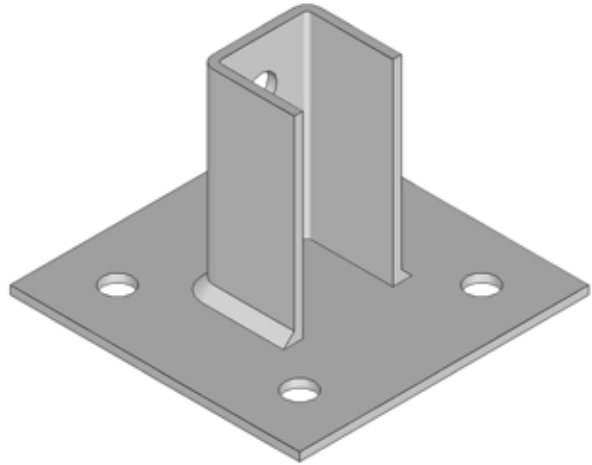
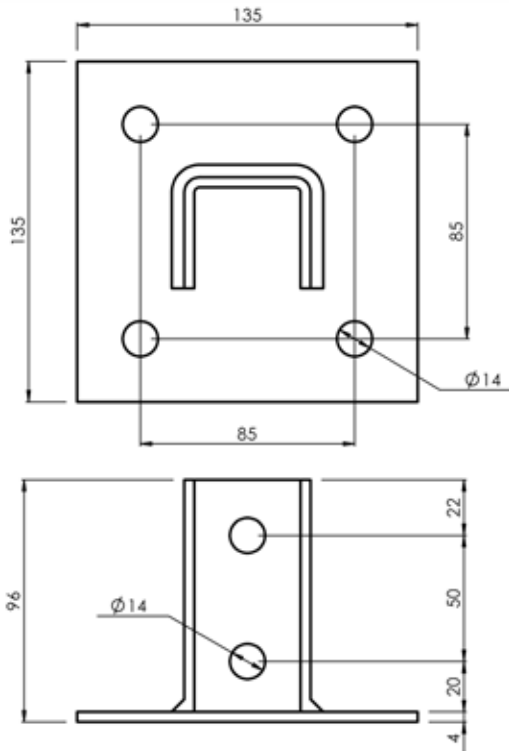
Load Capacity\* of KBSI/CLB HDG Clip In Bracket + KBSI/SMB3/1000 HDG Slotted 3-Way Channel Hanger:



KBSI/CLB Size:	Load Capacity (kg):
190	190
240	160
340	125
440	90
540	70

\*Load data is provided as a basic guide - for more specific load data please contact MSS.

EM2072B

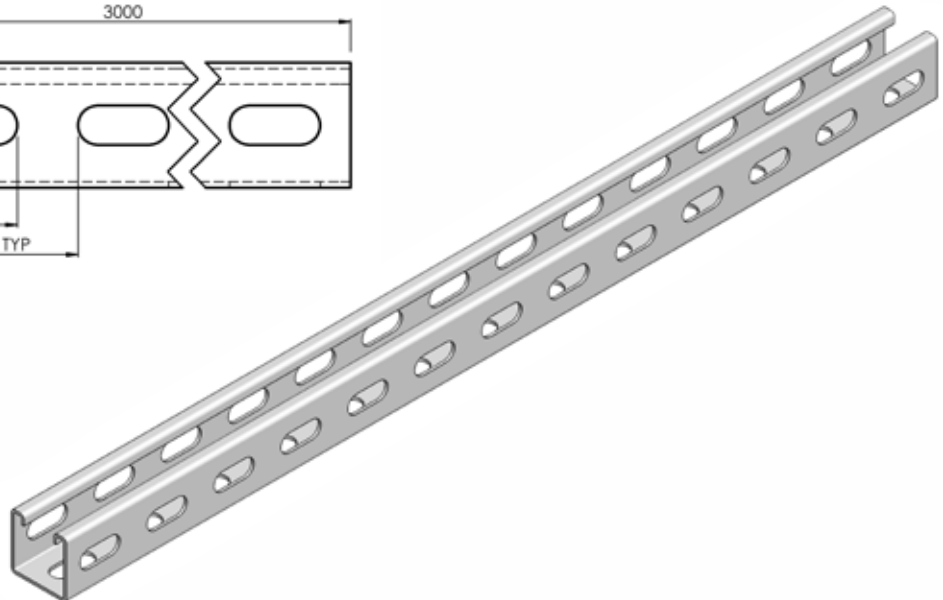
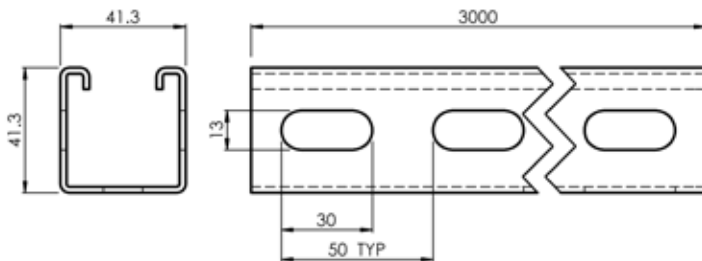


Standard Finish: Hot Dip Galvanised

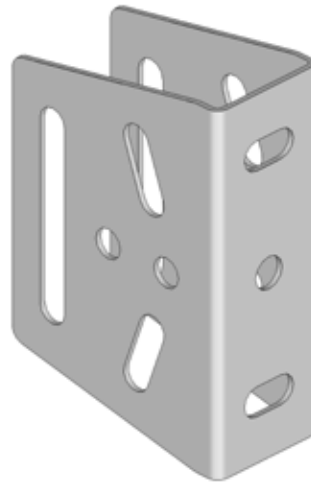
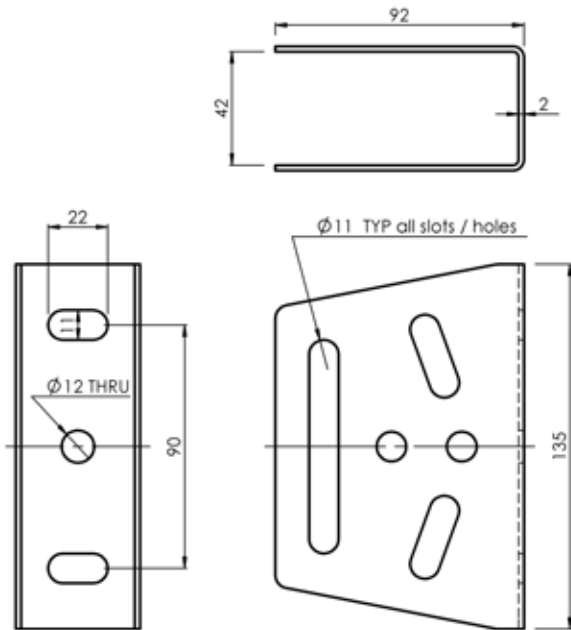
Part Number:

EM2072B

KBSI/SLOTTEDCHANNEL PG

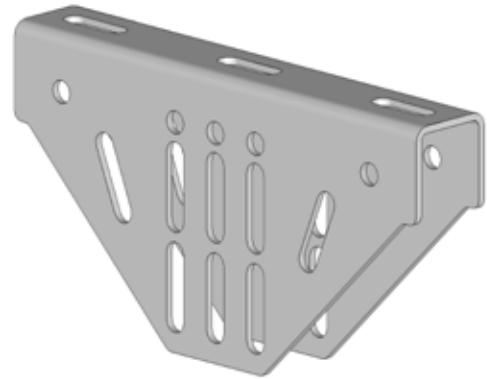
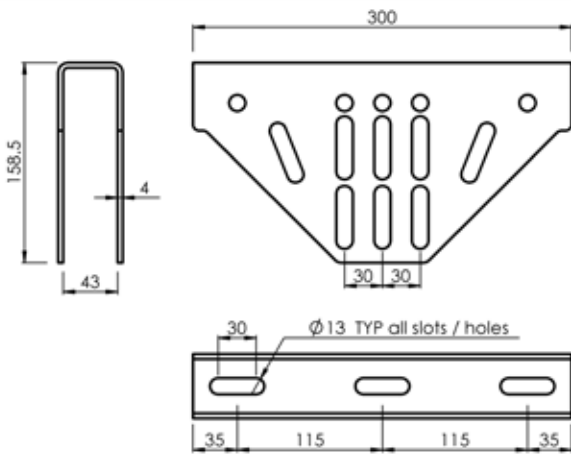


## VK/SMB/VMB ZP Vertical Mounting Bracket



**VK/SMB/VMB Vertical Mounting Bracket**  
See example application examples on the next page.

## VK/SMB/HMB ZP Horizontal Mounting Bracket



**VK/SMB/HMB Vertical Mounting Bracket**  
See example application examples on the next page.

## Hanger Brackets - Simple and Versatile

### VERGOKAN

#### Hanger Bracket Advantages:

- Hang from angled faces, such as perlin or sloping ceilings
- Span gaps in the ceiling face, such as Comflor flooring/ceilings, with flexible hanging positions
- Brackets can be utilised for seismic bracing

